

# AIRSTAGE

AIR CONDITIONER

Wall mounted type

# FUJITSU

REFRIGERANT **R32**  
INVERTER

## DESIGN & TECHNICAL MANUAL

---

---

INDOOR



ASEH07KGTG  
ASEH09KGTG  
ASEH12KGTG  
ASEH14KGTG

---

OUTDOOR



AOEH07KGCG  
AOEH09KGCG  
AOEH12KGCG  
AOEH14KGCG

---

FUJITSU GENERAL LIMITED

DR\_AS229ES\_01  
2024.02.20

**Notices:**

- Product specifications and design are subject to change without notice for future improvement.
- For further details, please check with our authorized dealer.

**Trademarks**

“AIRSTAGE Mobile” is a trademark of FUJITSU GENERAL LIMITED.

Android and Google Play are trademarks of Google LLC.

App Store is a service mark of Apple Inc., registered in the U.S. and other countries.

IOS is a trademark or registered trademark of Cisco in the U.S. and other countries and is used under license.

# CONTENTS

---

<b>Part 1. INDOOR UNIT</b> .....	<b>1</b>
<b>1. Specifications</b> .....	<b>2</b>
<b>2. Wireless LAN control</b> .....	<b>4</b>
2-1. System requirement.....	4
<b>3. Dimensions</b> .....	<b>5</b>
3-1. Models: ASEH07KGTG, ASEH09KGTG, ASEH12KGTG, and ASEH14KGTG .....	5
3-2. Pipe exit length from the rear .....	7
<b>4. Wiring diagrams</b> .....	<b>8</b>
4-1. Models: ASEH07KGTG, ASEH09KGTG, ASEH12KGTG, and ASEH14KGTG .....	8
<b>5. Capacity table</b> .....	<b>9</b>
5-1. Cooling capacity.....	9
5-2. Heating capacity .....	11
<b>6. Fan performance</b> .....	<b>12</b>
6-1. Air velocity distributions.....	12
6-2. Airflow .....	15
<b>7. Operation noise (sound pressure)</b> .....	<b>19</b>
7-1. Noise level curve.....	19
7-2. Sound level check point .....	21
<b>8. Safety devices</b> .....	<b>22</b>
<b>9. External input and output</b> .....	<b>23</b>
9-1. External input.....	24
9-2. External output.....	27
9-3. Setting of external input and output .....	29
9-4. Details of control input function .....	30
9-5. Details of control output function.....	34
<b>10. Group connection</b> .....	<b>36</b>
<b>11. Remote controller</b> .....	<b>37</b>
11-1. Wireless remote controller .....	37
<b>12. Function settings</b> .....	<b>39</b>
12-1. Function settings by using remote controller .....	39
12-2. Custom code setting for wireless remote controller.....	45
<b>13. Accessories</b> .....	<b>46</b>
13-1. Models: ASEH07KGTG, ASEH09KGTG, ASEH12KGTG, and ASEH14KGTG .....	46
<b>14. Optional parts</b> .....	<b>47</b>
14-1. Controllers .....	47
14-2. Others .....	48

## CONTENTS (continued)

---

<b>Part 2. OUTDOOR UNIT</b> .....	<b>49</b>
<b>1. Specifications</b> .....	<b>50</b>
<b>2. Dimensions</b> .....	<b>51</b>
2-1. Models: AOEH07KGCG, AOEH09KGCG, AOEH12KGCG, and AOEH14KGCG .....	51
<b>3. Installation space</b> .....	<b>52</b>
3-1. Models: AOEH07KGCG, AOEH09KGCG, AOEH12KGCG, and AOEH14KGCG .....	52
<b>4. Refrigerant circuit</b> .....	<b>55</b>
4-1. Models: AOEH07KGCG, AOEH09KGCG, AOEH12KGCG, and AOEH14KGCG .....	55
<b>5. Wiring diagrams</b> .....	<b>56</b>
5-1. Models: AOEH07KGCG, AOEH09KGCG, AOEH12KGCG, and AOEH14KGCG .....	56
<b>6. Capacity compensation rate for pipe length and height difference</b> .....	<b>57</b>
6-1. Models: AOEH07KGCG, AOEH09KGCG, AOEH12KGCG, and AOEH14KGCG .....	57
<b>7. Additional charge calculation</b> .....	<b>58</b>
7-1. Models: AOEH07KGCG and AOEH09KGCG .....	58
7-2. Models: AOEH12KGCG and AOEH14KGCG .....	58
<b>8. Airflow</b> .....	<b>59</b>
8-1. Model: AOEH07KGCG .....	59
8-2. Model: AOEH09KGCG .....	59
8-3. Models: AOEH12KGCG and AOEH14KGCG .....	59
<b>9. Operation noise (sound pressure)</b> .....	<b>60</b>
9-1. Noise level curve.....	60
9-2. Sound level check point .....	62
<b>10. Electrical characteristics</b> .....	<b>63</b>
<b>11. Safety devices</b> .....	<b>64</b>
<b>12. Accessories</b> .....	<b>65</b>
12-1. Models: AOEH07KGCG, AOEH09KGCG, AOEH12KGCG, and AOEH14KGCG .....	65

# **Part 1. INDOOR UNIT**

---

## **WALL MOUNTED TYPE:**

**ASEH07KGTG**

**ASEH09KGTG**

**ASEH12KGTG**

**ASEH14KGTG**

# 1. Specifications

Type				Wall mounted				
				Inverter, Heat pump				
Model name				ASEH07KGTG	ASEH09KGTG	ASEH12KGTG	ASEH14KGTG	
Power supply				230 V~ 50 Hz				
Power supply intake				Outdoor unit				
Available voltage range				198—264 V				
Capacity	Cooling	Rated	kW	2.0	2.5	3.4	4.2	
			Btu/h	6,800	8,500	11,600	14,300	
		Min.—Max.	kW	0.9—3.3	0.9—3.6	0.9—4.1	0.9—4.5	
			Btu/h	3,100—11,200	3,100—12,300	3,100—14,000	3,100—15,400	
	Heating	Rated	kW	2.5	2.8	4.0	5.4	
			Btu/h	8,500	9,500	13,600	18,400	
		Min.—Max.	kW	0.9—5.2	0.9—5.4	0.9—6.1	0.9—6.4	
			Btu/h	3,100—17,700	3,100—18,400	3,100—20,800	3,100—21,800	
Input power	Cooling	Rated	kW	0.40	0.55	0.87	1.22	
				0.25—0.95	0.25—1.14	0.25—1.29	0.25—1.45	
		Min.—Max.	0.50	0.60	0.91	1.45		
			0.25—1.59	0.25—1.84	0.25—1.83	0.25—2.11		
	Heating	Rated	kW	19	23	27	33	
				15	17	18	20	
		Min.—Max.	12	12	13	13		
			8					
Fan	HIGH	W	19	23	27	33		
			15	17	18	20		
Fan	MED	W	15	17	18	20		
			12	12	13	13		
Fan	LOW	W	15	17	18	20		
			12	12	13	13		
Fan	QUIET	W	15	17	18	20		
			12	12	13	13		
Current	Cooling	Rated	A	2.4	3.0	4.2	5.7	
	Heating			2.9	3.2	4.5	6.7	
Energy efficiency class	Cooling	A+++				A++		
	Heating (Average)	A+++				A++		
Pdesign	Cooling	kW	2.0	2.5	3.4	4.2		
	Heating (Average)		2.3	2.4	2.5	4.0		
SEER	Cooling	kWh/kWh	9.8	9.4	8.8	8.0		
SCOP	Heating (Average)		5.2	5.2	4.6			
Annual energy consumption	QCE	kWh/a	71	93	135	184		
	QHE (Average)		618	646	673	1,217		
EER	Cooling	kW/kW	5.00	4.55	3.91	3.44		
COP	Heating		5.00	4.67	4.40	3.72		
Sensible capacity	Cooling	kW	2.00	2.38	2.75	3.33		
Power factor	Heating		%	76	80	90	93	
Moisture removal			L/h (pints/h)	1.1 (1.9)	1.3 (2.3)	1.6 (2.8)	1.7 (3.0)	
Maximum operating current*1	Cooling	A		6.5		9.0		
	Heating			9.0		10.5		
Fan	Airflow rate	Cooling	HIGH	570	640	680	750	
			MED	500	530	550	590	
			LOW	420		430	450	
			QUIET	270		260	290	
		Heating	HIGH	610	630	750	780	
			MED	530		630	700	
			LOW	450		510		
			QUIET	290		320	350	
	Type × Qty	Crossflow fan × 1						
	Motor output			W		30	49	
Sound pressure level*2	Cooling	HIGH	dB (A)	36	38	40	43	
				32	34	35	36	
		MED	29		30			
			19		20			
	Heating	HIGH	dB (A)	38	39	42	44	
				34	39	38	39	
		MED	31		33			
			20		21	24		
Sound power level	Cooling	HIGH	dB (A)	49	52	56	57	
	Heating			51	52	58	59	
Heat exchanger	Dimensions (H × W × D)		mm	Main 1: 210 × 670 × 26.6 Main 2: 112 × 670 × 20.0		Main 1: 210 × 670 × 26.6 Main 2: 112 × 670 × 20.0 Sub 1: 84 × 670 × 13.3		
	Fin pitch			Main 1: 1.2 Main 2: 1.1		Main 1: 1.2 Main 2: 1.1 Sub 1: 1.4		
	Rows × Stages		Main 1: 2 × 10 Main 2: 2 × 7		Main 1: 2 × 10 Main 2: 2 × 7 Sub 1: 1 × 4			
	Pipe type		Copper tube					
	Fin type		Aluminum					
Enclosure	Material		Polystyrene					
	Color		White + Pearl white (painted) Approximate color of Munsell N9.25/					
Dimensions (H × W × D)	Net	mm	270 × 834 × 215					
	Gross		277 × 914 × 332					
Weight	Net	kg	10.0					
	Gross		12.5			13.0		
Connection pipe	Size	Liquid	mm (in)	Ø6.35 (Ø1/4)				
		Gas		Ø9.52 (Ø3/8)				
Drain hose	Method		Flare					
	Material		Polypropylene + High-density polyethylene					
Operation range	Tip diameter		mm	Ø13.8 (I.D.), Ø15 to Ø16.8 (O.D.)				
	Cooling	°C		18 to 32				
Remote controller	Heating		°C		80 or less 16 to 30			
	Wireless (Option: Wired, Mobile app*3 [AIRSTAGE Mobile])							

Type	Wall mounted			
	Inverter, Heat pump			
Model name	ASEH07KGTG	ASEH09KGTG	ASEH12KGTG	ASEH14KGTG
<p><b>NOTES:</b></p> <ul style="list-style-type: none"> <li>• Specifications are based on the following conditions: <ul style="list-style-type: none"> <li>– Cooling: Indoor temperature of 27°CDB/19°CWB, and outdoor temperature of 35°CDB/24°CWB.</li> <li>– Heating: Indoor temperature of 20°CDB/15°CWB, and outdoor temperature of 7°CDB/6°CWB.</li> <li>– Pipe length: 5.0 m, Height difference: 0 m. (Between outdoor unit and indoor unit.)</li> </ul> </li> <li>• Protective function might work when using it outside the operation range.</li> <li>• *1: Maximum operating current is the total current of the indoor unit and the outdoor unit.</li> <li>• *2: Sound pressure level: <ul style="list-style-type: none"> <li>– Measured values in manufacturer's anechoic chamber.</li> <li>– Because of the surrounding sound environment, the sound levels measured in actual installation conditions might be higher than the specified values here.</li> </ul> </li> <li>• *3: Available on Google Play™ store or on App Store®.</li> <li>• This data is based on EN 14511 standard.</li> </ul>				

## 2. Wireless LAN control

By installing mobile app on a smart device, several functions can be controlled from outside the house.

### 2-1. System requirement

Before using this function, prepare the following items:

- **Wireless router:**

Wireless LAN standard	IEEE802.11b/g/n
Frequency bands*	<ul style="list-style-type: none"> <li>• U.S.A., Canada: 2.4 GHz (1ch—11ch)</li> <li>• Other countries: 2.4 GHz (1ch—13ch)</li> </ul>
Network security standard	<ul style="list-style-type: none"> <li>• Open</li> <li>• WEP</li> <li>• WPA (PSK)</li> <li>• WPA2 Personal (PSK)</li> <li>• WPS for same-LAN registration</li> </ul>

\*: Usable only in the country or region where you purchased the product.

To check whether your wireless router complies with the network security standards listed above, refer to the operation manual.

- **Smartphone:**

App-compliant operating system	iOS	Check the latest version of supported OS at Google Play store or App Store.
	Android™	

- **AIRSTAGE Mobile (mobile application):**

Mobile app is available on Google Play store or on App Store.

After installation of mobile app, user registration is required. For user registration and setup information, refer to Setting Manual attached with the product.

For the latest version of the wireless LAN control manuals, refer to the following web site.

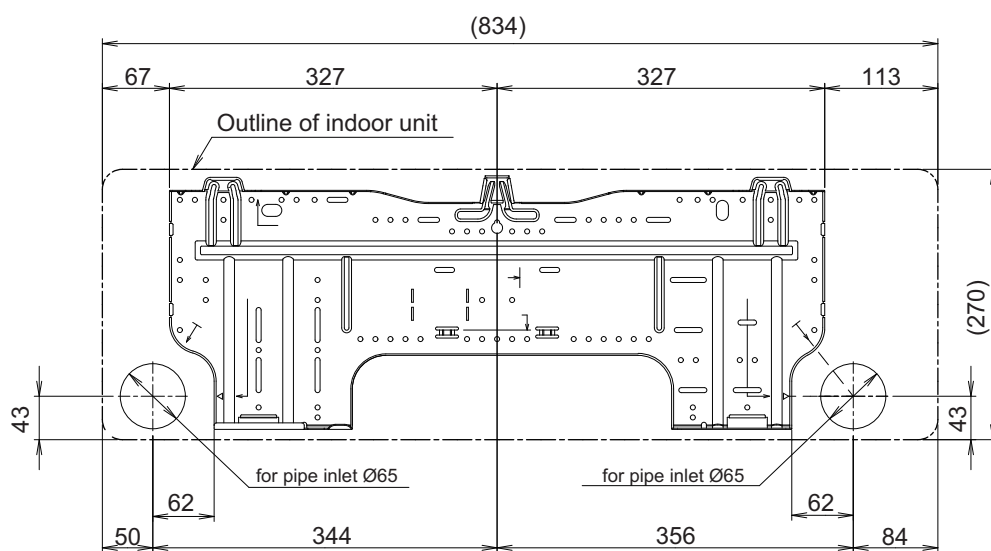
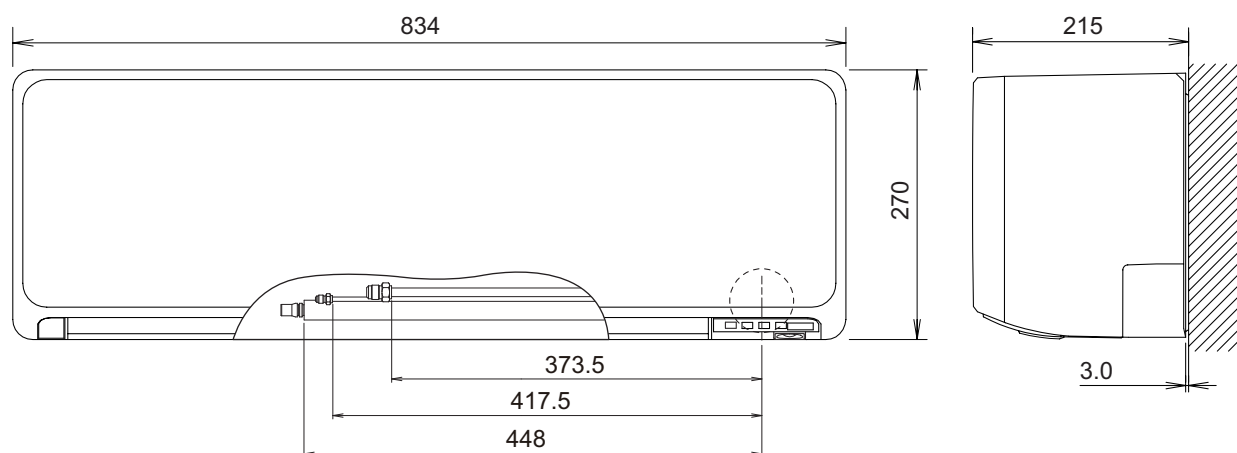
<https://www.fujitsu-general.com/global/support/>



### 3. Dimensions

#### 3-1. Models: ASEH07KGTG, ASEH09KGTG, ASEH12KGTG, and ASEH14KGTG

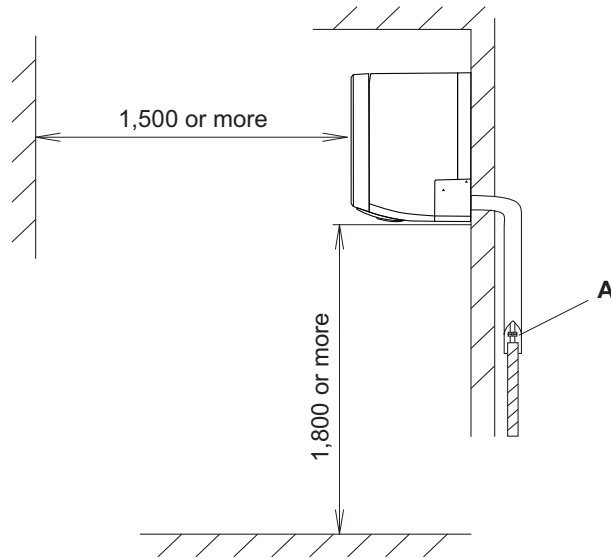
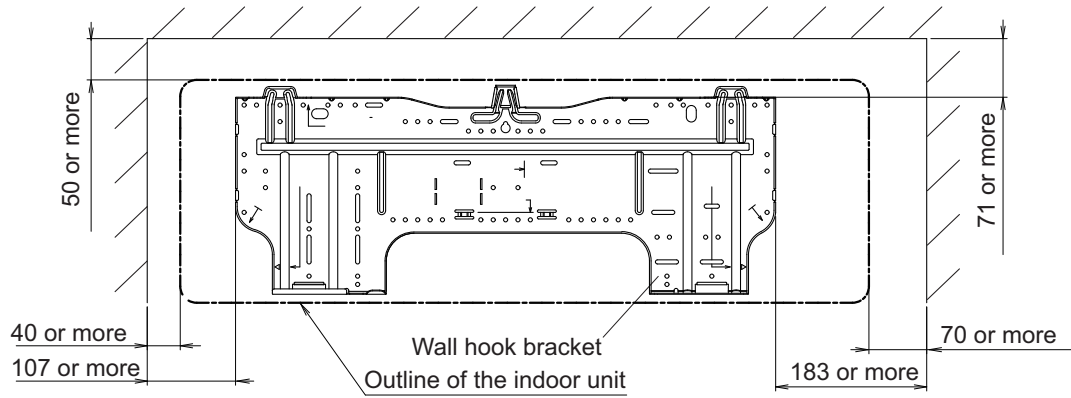
Unit: mm



## ■ Installation space requirement

Provide sufficient installation space for product safety.

Unit: mm



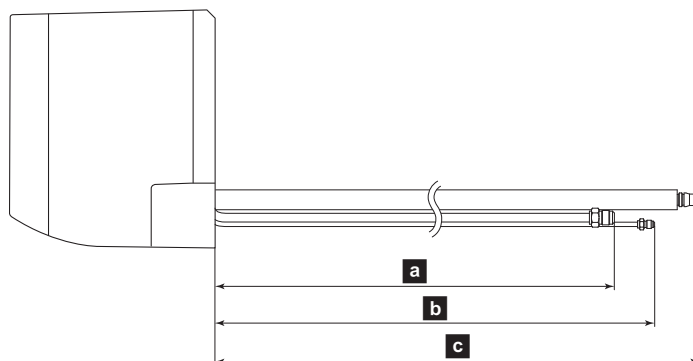
**A:** Install so that the flare connection part is outdoors.

## 3-2. Pipe exit length from the rear

Design the system considering the length of the pipes or hose exiting from the rear of the indoor unit.

**NOTE:** Detailed shapes of the indoor unit and the tip of each pipe or hose may vary depending on the model.

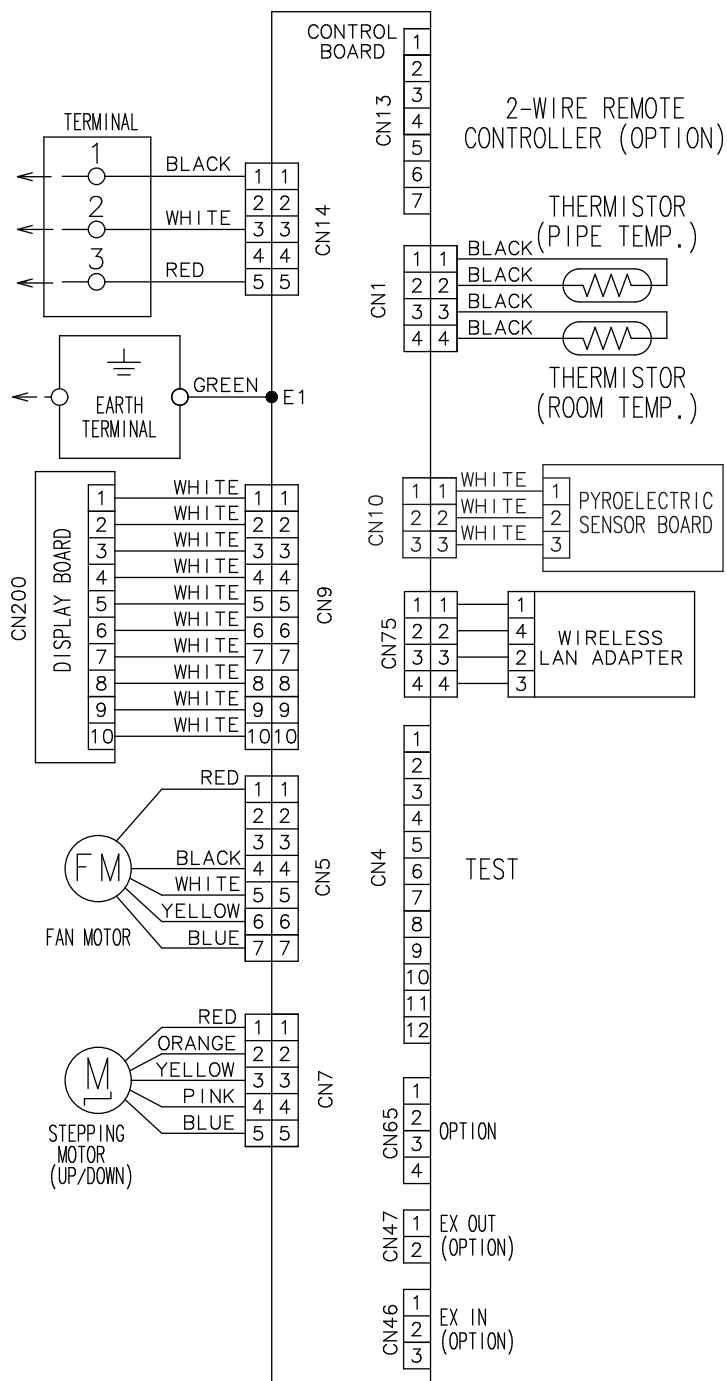
Unit: mm



Model name	Approximate length		
	<b>a</b> Gas pipe	<b>b</b> Liquid pipe	<b>c</b> Drain hose
ASEH07-14KGTG	380	430	480

# 4. Wiring diagrams

## 4-1. Models: ASEH07KGTG, ASEH09KGTG, ASEH12KGTG, and ASEH14KGTG



## 5. Capacity table

Capacity tables show each of following values calculated based on the outdoor temperature and the indoor temperature, under given Airflow Rate (AFR):

**For cooling capacity:** Total Capacity (TC), Sensible Heat Capacity (SHC), and Input Power (IP)

**For heating capacity:** Total Capacity (TC) and Input Power (IP)

### 5-1. Cooling capacity

#### ■ Model: ASEH07KGTG

AFR		m <sup>3</sup> /h									570										
Outdoor temperature	Indoor temperature																				
	18			21			23			25			27			29			32		
	12			15			16			18			19			21			23		
	TC	SHC	IP	TC	SHC	IP	TC	SHC	IP	TC	SHC	IP	TC	SHC	IP	TC	SHC	IP	TC	SHC	IP
°CDB	kW			kW			kW			kW			kW			kW			kW		
-10	2.46	2.20	0.34	2.66	2.29	0.35	2.78	2.34	0.36	2.94	2.39	0.35	3.07	2.47	0.34	3.23	2.49	0.34	3.23	2.49	0.34
0	2.36	2.17	0.39	2.55	2.25	0.40	2.67	2.30	0.41	2.82	2.36	0.40	2.94	2.43	0.39	3.09	2.46	0.39	3.09	2.46	0.39
5	2.27	2.13	0.46	2.45	2.21	0.47	2.57	2.26	0.48	2.71	2.31	0.47	2.83	2.39	0.46	2.98	2.41	0.47	2.98	2.41	0.47
10	2.51	2.21	0.38	2.71	2.30	0.39	2.84	2.35	0.40	3.00	2.41	0.39	3.13	2.48	0.38	3.29	2.51	0.38	3.29	2.51	0.38
15	2.42	2.19	0.45	2.61	2.27	0.46	2.73	2.32	0.47	2.89	2.38	0.46	3.01	2.45	0.45	3.17	2.48	0.46	3.17	2.48	0.46
20	1.83	1.83	0.22	1.98	1.97	0.22	2.08	2.05	0.22	2.19	2.09	0.22	2.26	2.13	0.22	2.39	2.22	0.22	2.57	2.33	0.21
25	1.77	1.77	0.28	1.91	1.91	0.28	2.01	2.01	0.28	2.11	2.06	0.28	2.19	2.10	0.28	2.31	2.19	0.28	2.48	2.30	0.27
30	1.69	1.74	0.34	1.83	1.88	0.34	1.92	1.95	0.34	2.02	1.98	0.34	2.09	2.03	0.34	2.21	2.12	0.33	2.37	2.22	0.33
35	1.62	1.62	0.39	1.75	1.75	0.40	1.84	1.84	0.40	1.93	1.93	0.40	2.00	2.00	0.40	2.12	2.09	0.39	2.27	2.19	0.39
40	1.50	1.50	0.44	1.64	1.64	0.44	1.73	1.73	0.45	1.84	1.84	0.45	1.94	1.94	0.45	2.03	2.03	0.45	2.17	2.17	0.45
46	1.38	1.38	0.51	1.52	1.52	0.51	1.60	1.60	0.52	1.70	1.70	0.52	1.80	1.80	0.52	1.88	1.88	0.52	2.01	2.01	0.52
50	1.28	1.28	0.57	1.40	1.40	0.57	1.48	1.48	0.58	1.57	1.57	0.58	1.66	1.66	0.58	1.73	1.73	0.58	1.85	1.85	0.58

#### ■ Model: ASEH09KGTG

AFR		m <sup>3</sup> /h									640										
Outdoor temperature	Indoor temperature																				
	18			21			23			25			27			29			32		
	12			15			16			18			19			21			23		
	TC	SHC	IP	TC	SHC	IP	TC	SHC	IP	TC	SHC	IP	TC	SHC	IP	TC	SHC	IP	TC	SHC	IP
°CDB	kW			kW			kW			kW			kW			kW			kW		
-10	2.61	2.44	0.54	2.82	2.53	0.55	2.95	2.59	0.57	3.12	2.65	0.55	3.25	2.73	0.54	3.42	2.77	0.55	3.42	2.77	0.55
0	2.67	2.46	0.48	2.88	2.56	0.49	3.02	2.61	0.50	3.19	2.67	0.48	3.33	2.76	0.48	3.50	2.79	0.48	3.50	2.79	0.48
5	2.57	2.41	0.55	2.77	2.50	0.56	2.90	2.56	0.57	3.07	2.62	0.56	3.20	2.70	0.55	3.36	2.73	0.55	3.36	2.73	0.55
10	2.83	2.51	0.46	3.06	2.61	0.46	3.20	2.67	0.48	3.38	2.73	0.46	3.53	2.81	0.46	3.71	2.85	0.46	3.71	2.85	0.46
15	2.74	2.49	0.54	2.96	2.59	0.54	3.10	2.65	0.56	3.27	2.71	0.54	3.42	2.79	0.53	3.59	2.82	0.54	3.59	2.82	0.54
20	2.34	2.17	0.34	2.52	2.35	0.34	2.65	2.44	0.34	2.79	2.48	0.34	2.88	2.53	0.34	3.05	2.65	0.34	3.27	2.77	0.33
25	2.23	2.15	0.40	2.41	2.32	0.41	2.53	2.41	0.41	2.66	2.45	0.41	2.76	2.50	0.41	2.92	2.61	0.40	3.13	2.74	0.40
30	2.13	2.10	0.47	2.30	2.26	0.48	2.42	2.35	0.48	2.54	2.39	0.48	2.63	2.44	0.48	2.78	2.55	0.47	2.98	2.67	0.46
35	2.03	2.05	0.54	2.19	2.21	0.55	2.30	2.30	0.55	2.42	2.33	0.55	2.50	2.38	0.55	2.65	2.49	0.54	2.84	2.61	0.53
40	1.82	1.82	0.60	2.00	2.00	0.60	2.11	2.11	0.61	2.24	2.24	0.61	2.37	2.37	0.61	2.47	2.47	0.61	2.64	2.64	0.61
46	1.74	1.74	0.67	1.90	1.90	0.68	2.01	2.01	0.68	2.13	2.13	0.69	2.25	2.25	0.69	2.35	2.35	0.69	2.52	2.52	0.69
50	1.63	1.63	0.74	1.79	1.79	0.75	1.89	1.89	0.75	2.00	2.00	0.75	2.12	2.12	0.76	2.21	2.21	0.76	2.36	2.36	0.76

#### ■ Model: ASEH12KGTG

AFR		m <sup>3</sup> /h									680										
Outdoor temperature	Indoor temperature																				
	18			21			23			25			27			29			32		
	12			15			16			18			19			21			23		
	TC	SHC	IP	TC	SHC	IP	TC	SHC	IP	TC	SHC	IP	TC	SHC	IP	TC	SHC	IP	TC	SHC	IP
°CDB	kW			kW			kW			kW			kW			kW			kW		
-10	3.07	2.54	0.36	3.43	2.78	0.43	3.80	2.96	0.50	3.98	3.01	0.51	4.11	3.09	0.45	4.38	3.14	0.51	4.59	3.21	0.50
0	3.28	2.76	0.59	3.55	2.87	0.61	3.74	2.93	0.58	3.92	3.01	0.59	4.02	3.05	0.60	4.34	3.15	0.59	4.65	3.23	0.61
5	3.25	2.75	0.33	3.52	2.85	0.34	3.70	2.91	0.33	3.89	2.99	0.33	3.98	3.03	0.34	4.30	3.13	0.33	4.61	3.22	0.34
10	3.21	2.72	0.43	3.47	2.83	0.45	3.66	2.89	0.42	3.84	2.97	0.43	3.93	3.01	0.44	4.25	3.10	0.43	4.55	3.19	0.44
15	3.15	2.69	0.52	3.41	2.80	0.54	3.59	2.86	0.52	3.77	2.93	0.53	3.86	2.98	0.53	4.18	3.07	0.53	4.47	3.15	0.54
20	3.08	2.65	0.61	3.33	2.76	0.64	3.51	2.81	0.61	3.69	2.89	0.62	3.77	2.93	0.63	4.09	3.02	0.62	4.37	3.11	0.63
25	2.99	2.61	0.70	3.24	2.71	0.73	3.41	2.76	0.69	3.58	2.84	0.70	3.67	2.88	0.71	3.97	2.97	0.70	4.25	3.05	0.72
30	2.89	2.55	0.78	3.13	2.65	0.81	3.29	2.70	0.77	3.46	2.78	0.78	3.54	2.82	0.80	3.83	2.90	0.78	4.11	2.98	0.81
35	2.77	2.48	0.86	3.00	2.58	0.89	3.16	2.63	0.85	3.32	2.71	0.86	3.40	2.75	0.87	3.68	2.83	0.86	3.94	2.91	0.89
40	2.64	2.41	0.93	2.86	2.51	0.97	3.01	2.56	0.92	3.16	2.63	0.93	3.23	2.66	0.95	3.50	2.75	0.93	3.75	2.82	0.96
46	2.44	2.40	1.03	2.60	2.51	0.99	2.75	2.60	1.03	2.83	2.62	0.99	2.88	2.59	1.02	3.08	2.72	1.04	3.30	2.75	1.04
50	2.13	2.09	1.05	2.34	2.29	1.05	2.47	2.42	1.06	2.62	2.56	1.06	2.65	2.51	1.09	2.89	2.83	1.07	3.09	3.03	1.07

■ Model: ASEH14KGTG

WALL MOUNTED  
ASEH07-14KGTG

WALL MOUNTED  
ASEH07-14KGTG

AFR	m <sup>3</sup> /h	750
-----	-------------------	-----

Outdoor temperature	Indoor temperature																				
	18			21			23			25			27			29			32		
	°CWB			15			16			18			19			21			23		
°CDB	TC	SHC	IP	TC	SHC	IP	TC	SHC	IP	TC	SHC	IP	TC	SHC	IP	TC	SHC	IP	TC	SHC	IP
	kW			kW			kW			kW			kW			kW					
-10	3.35	2.71	0.36	3.74	2.97	0.43	4.14	3.16	0.50	4.34	3.22	0.51	4.48	3.30	0.45	4.78	3.35	0.51	5.01	3.43	0.51
0	3.57	2.95	0.59	3.87	3.06	0.62	4.07	3.13	0.58	4.27	3.21	0.59	4.37	3.26	0.60	4.73	3.36	0.59	5.07	3.45	0.61
5	3.54	2.93	0.33	3.84	3.05	0.34	4.04	3.11	0.32	4.24	3.20	0.33	4.34	3.24	0.33	4.70	3.34	0.33	5.03	3.43	0.34
10	3.50	2.91	0.43	3.79	3.02	0.44	3.98	3.09	0.42	4.18	3.17	0.43	4.28	3.21	0.43	4.63	3.31	0.43	4.96	3.41	0.44
15	3.44	2.88	0.53	3.72	2.99	0.55	3.91	3.05	0.52	4.11	3.13	0.53	4.21	3.18	0.54	4.55	3.28	0.53	4.88	3.37	0.55
20	3.36	2.83	0.62	3.63	2.94	0.64	3.82	3.01	0.61	4.02	3.09	0.62	4.11	3.13	0.63	4.45	3.23	0.62	4.77	3.32	0.64
25	3.26	2.78	0.70	3.53	2.89	0.73	3.72	2.95	0.69	3.90	3.03	0.70	3.99	3.07	0.71	4.32	3.17	0.70	4.63	3.26	0.73
30	3.58	3.09	1.09	3.87	3.21	1.13	4.08	3.28	1.08	4.28	3.37	1.09	4.38	3.42	1.10	4.74	3.52	1.09	5.07	3.62	1.13
35	3.43	3.01	1.19	3.71	3.13	1.24	3.90	3.19	1.17	4.11	3.28	1.20	4.20	3.33	1.22	4.55	3.43	1.20	4.87	3.53	1.23
40	3.27	2.93	1.28	3.54	3.04	1.34	3.72	3.10	1.27	3.92	3.19	1.28	4.01	3.24	1.31	4.34	3.33	1.30	4.64	3.42	1.34
46	3.01	2.91	1.43	3.22	3.04	1.38	3.42	3.16	1.43	3.50	3.18	1.39	3.58	3.13	1.40	3.81	3.29	1.45	4.08	3.34	1.45
50	2.64	2.54	1.45	2.89	2.79	1.46	3.05	2.94	1.47	3.23	3.12	1.48	3.31	3.03	1.49	3.57	3.45	1.49	3.82	3.68	1.49

## 5-2. Heating capacity

NOTE: Values mentioned in the table are calculated based on the maximum capacity.

### Model: ASEH07KGTG

AFR		m <sup>3</sup> /h		610								
		Indoor temperature										
		16		18		20		22		24		
Outdoor temperature	°CDB	°CWB	TC	IP	TC	IP	TC	IP	TC	IP	TC	IP
			kW		kW		kW		kW		kW	
	-15	-16	3.12	1.22	3.13	1.30	3.13	1.30	3.13	1.34	3.07	1.35
-10	-11	3.08	1.10	3.08	1.15	3.08	1.15	3.08	1.19	3.04	1.20	
-5	-7	3.64	1.16	3.64	1.22	3.64	1.22	3.64	1.26	3.59	1.26	
0	-2	4.23	1.34	4.16	1.38	4.16	1.38	4.16	1.41	4.09	1.44	
5	3	4.99	1.46	4.95	1.52	4.95	1.52	4.95	1.57	4.86	1.59	
7	6	5.24	1.49	5.20	1.59	5.20	1.59	5.20	1.63	5.11	1.65	
10	8	5.51	1.48	5.40	1.56	5.40	1.56	5.40	1.62	5.38	1.64	
15	10	5.21	1.21	5.08	1.30	5.08	1.30	5.08	1.32	5.08	1.34	
20	15	5.34	1.17	5.19	1.16	5.19	1.16	5.19	1.15	4.93	1.17	
24	18	5.52	1.15	5.37	1.14	5.37	1.14	5.37	1.13	5.11	1.15	

### Model: ASEH09KGTG

AFR		m <sup>3</sup> /h		630								
		Indoor temperature										
		16		18		20		22		24		
Outdoor temperature	°CDB	°CWB	TC	IP	TC	IP	TC	IP	TC	IP	TC	IP
			kW		kW		kW		kW		kW	
	-15	-16	3.13	1.23	3.14	1.29	3.14	1.29	3.14	0.62	3.09	1.34
-10	-11	3.64	1.34	3.65	1.41	3.65	1.41	3.65	0.61	3.60	1.46	
-5	-7	4.15	1.44	4.15	1.52	4.15	1.52	4.15	0.61	4.08	1.58	
0	-2	4.57	1.56	4.51	1.61	4.51	1.61	4.51	0.59	4.42	1.67	
5	3	5.39	1.69	5.36	1.77	5.36	1.77	5.36	0.59	5.26	1.83	
7	6	5.44	1.72	5.40	1.84	5.40	1.84	5.40	0.60	5.30	1.91	
10	8	5.91	1.70	5.79	1.79	5.79	1.79	5.79	0.59	5.76	1.89	
15	10	5.21	1.19	5.09	1.27	5.09	1.27	5.09	0.37	5.08	1.32	
20	15	5.47	1.19	5.31	1.19	5.31	1.19	5.31	0.28	5.05	1.19	
24	18	5.61	1.16	5.45	1.15	5.45	1.15	5.45	0.25	5.19	1.16	

### Model: ASEH12KGTG

AFR		m <sup>3</sup> /h		750								
		Indoor temperature										
		16		18		20		22		24		
Outdoor temperature	°CDB	°CWB	TC	IP	TC	IP	TC	IP	TC	IP	TC	IP
			kW		kW		kW		kW		kW	
	-15	-16	3.40	1.35	3.39	1.32	3.36	1.32	3.34	1.33	3.30	1.36
-10	-11	4.02	1.37	3.93	1.38	3.83	1.41	3.72	1.43	3.60	1.47	
-5	-7	4.60	1.46	4.50	1.49	4.39	1.52	4.26	1.55	4.12	1.58	
0	-2	5.29	1.58	5.17	1.61	5.04	1.64	4.89	1.67	4.73	1.70	
5	3	6.06	1.71	5.93	1.73	5.78	1.77	5.61	1.81	5.43	1.85	
7	6	6.40	1.76	6.26	1.79	6.10	1.83	5.92	1.87	5.73	1.91	
10	8	6.94	1.86	6.78	1.88	6.61	1.92	6.42	1.96	6.21	2.00	
15	10	6.33	1.53	6.19	1.55	6.03	1.58	5.86	1.61	5.67	1.65	
20	15	6.61	1.34	6.46	1.37	6.29	1.38	6.11	1.41	5.91	1.45	
24	18	6.89	1.28	6.75	1.36	6.50	1.33	6.14	1.32	5.66	1.35	

### Model: ASEH14KGTG

AFR		m <sup>3</sup> /h		780								
		Indoor temperature										
		16		18		20		22		24		
Outdoor temperature	°CDB	°CWB	TC	IP	TC	IP	TC	IP	TC	IP	TC	IP
			kW		kW		kW		kW		kW	
	-15	-16	3.57	1.55	3.56	1.53	3.52	1.52	3.51	1.54	3.46	1.57
-10	-11	4.22	1.57	4.12	1.60	4.02	1.63	3.90	1.66	3.77	1.70	
-5	-7	4.83	1.69	4.72	1.71	4.60	1.75	4.47	1.78	4.33	1.82	
0	-2	5.55	1.82	5.42	1.85	5.29	1.88	5.13	1.93	4.97	1.97	
5	3	6.36	1.98	6.22	2.01	6.06	2.04	5.89	2.08	5.70	2.13	
7	6	6.72	2.04	6.57	2.07	6.40	2.11	6.21	2.15	6.01	2.20	
10	8	7.28	2.14	7.11	2.17	6.93	2.21	6.73	2.25	6.52	2.31	
15	10	6.64	1.76	6.49	1.78	6.33	1.82	6.15	1.85	5.95	1.91	
20	15	6.93	1.55	6.77	1.57	6.60	1.60	6.41	1.63	6.20	1.67	
24	18	7.22	1.47	7.08	1.57	6.82	1.54	6.44	1.52	5.94	1.56	

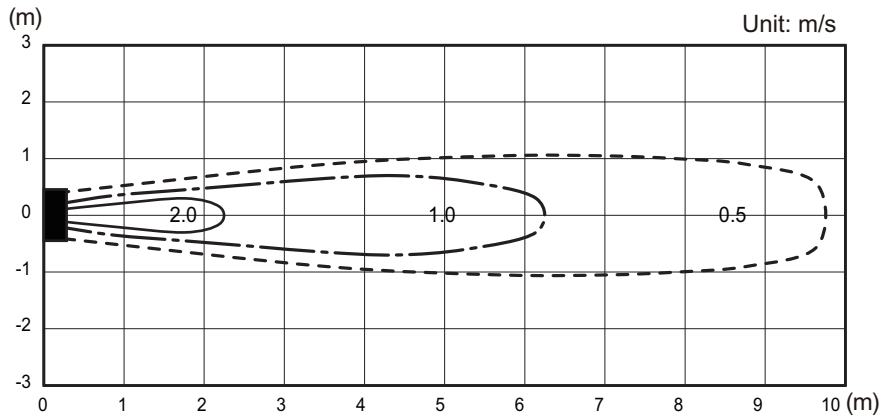
# 6. Fan performance

## 6-1. Air velocity distributions

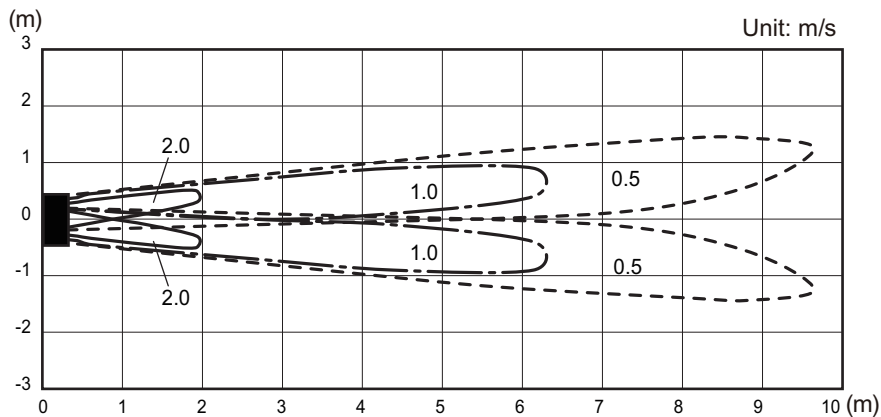
### ■ Model: ASEH07KGTG

Measuring conditions	Fan speed	Operation mode
	HIGH	FAN

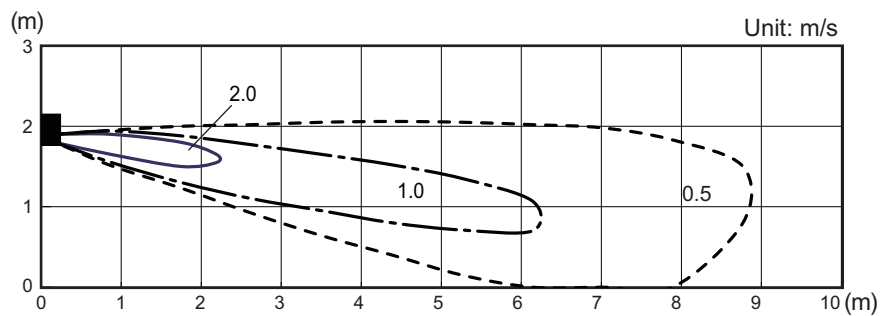
Top view  
Horizontal louver: Up  
Vertical louver: Center



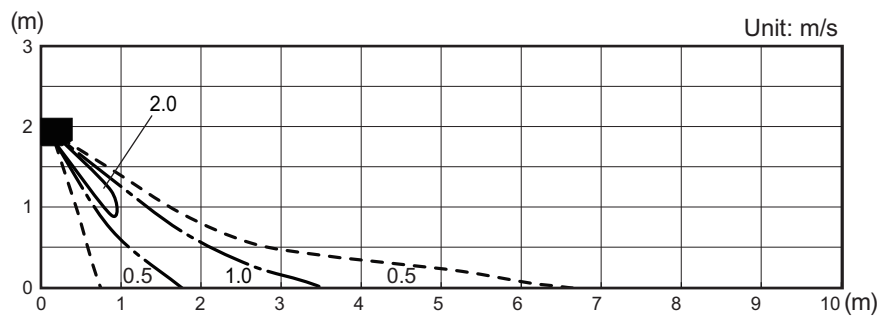
Top view  
Horizontal louver: Up  
Vertical louver: Left & Right



Side view  
Horizontal louver: Up  
Vertical louver: Center



Side view  
Horizontal louver: Down  
Vertical louver: Center





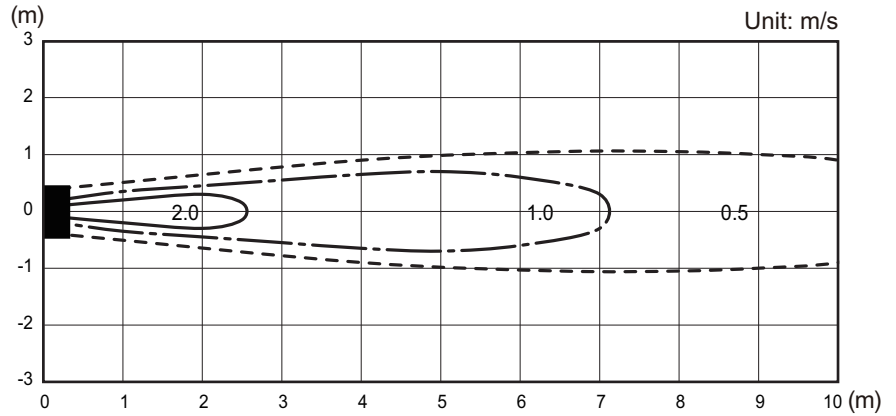
# Models: ASEH09KGTG and ASEH12KGTG

WALL MOUNTED ASEH07-14KGTG

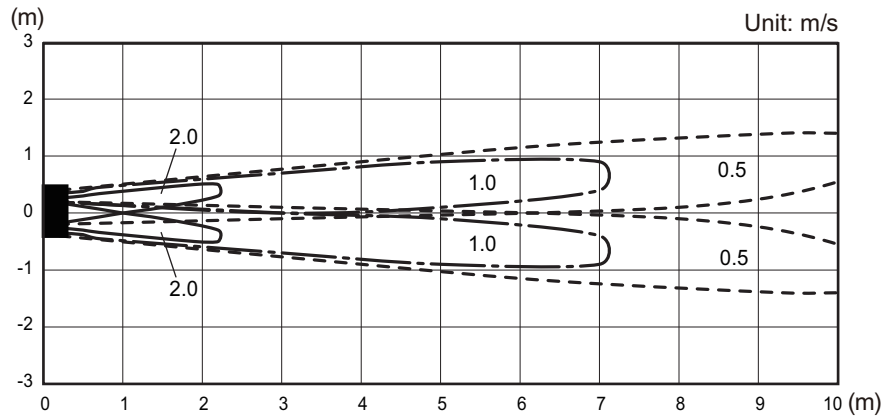
WALL MOUNTED ASEH07-14KGTG

Measuring conditions	Fan speed	Operation mode
	HIGH	FAN

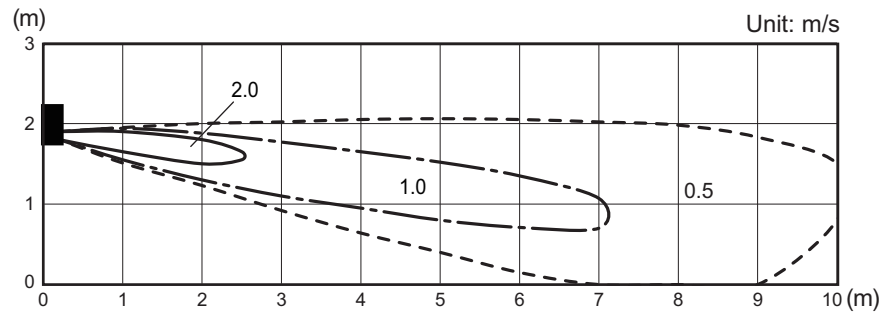
Top view  
Horizontal louver: Up  
Vertical louver: Center



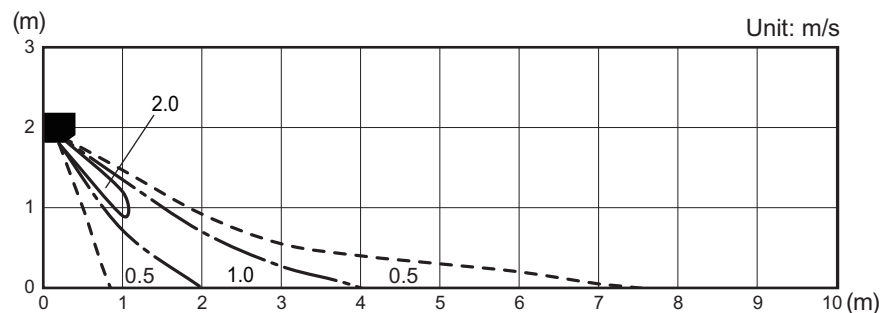
Top view  
Horizontal louver: Up  
Vertical louver: Left & Right



Side view  
Horizontal louver: Up  
Vertical louver: Center



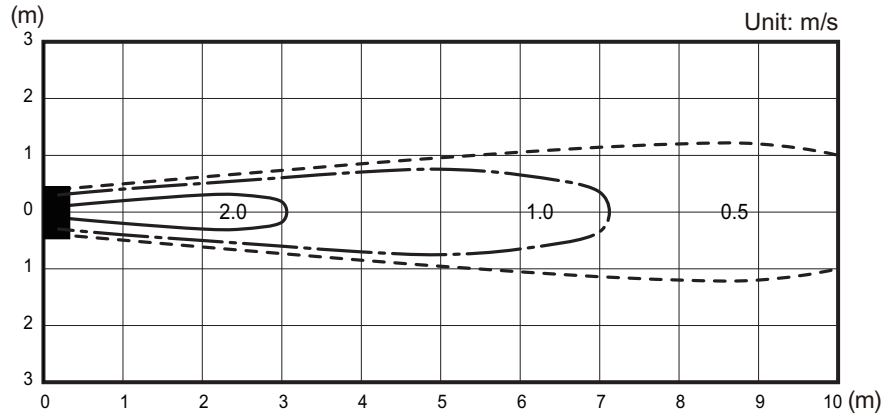
Side view  
Horizontal louver: Down  
Vertical louver: Center



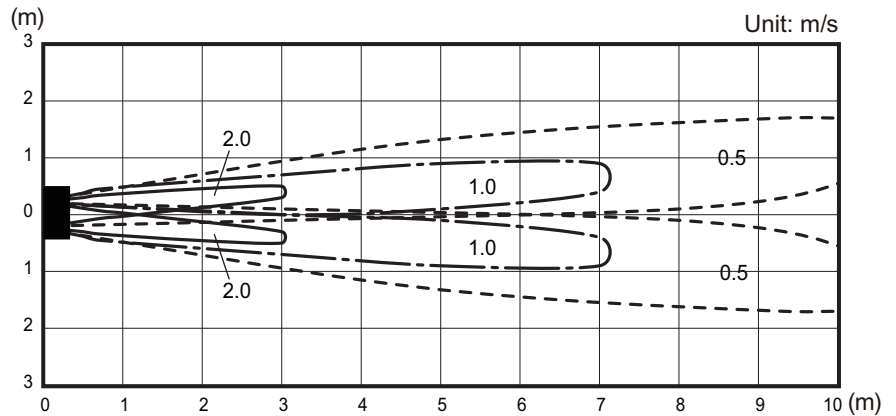
# Model: ASEH14KGTG

Measuring conditions	Fan speed	Operation mode
	HIGH	FAN

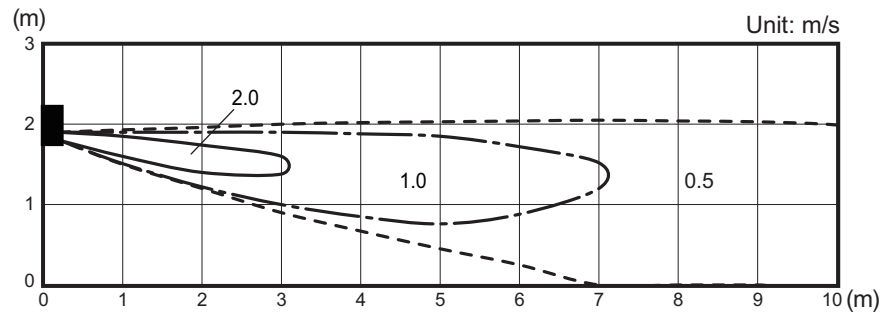
Top view  
Horizontal louver: Up  
Vertical louver: Center



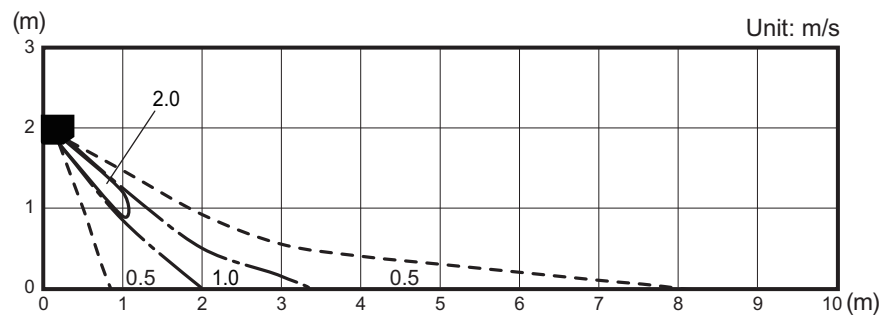
Top view  
Horizontal louver: Up  
Vertical louver: Left & Right



Side view  
Horizontal louver: Up  
Vertical louver: Center



Side view  
Horizontal louver: Down  
Vertical louver: Center



## 6-2. Airflow

### ■ Model: ASEH07KGTG

#### ● Cooling

Fan speed	Airflow	
HIGH	m <sup>3</sup> /h	570
	l/s	158
	CFM	336
MED	m <sup>3</sup> /h	500
	l/s	139
	CFM	294
LOW	m <sup>3</sup> /h	420
	l/s	117
	CFM	247
QUIET	m <sup>3</sup> /h	270
	l/s	75
	CFM	159

#### ● Heating

Fan speed	Airflow	
HIGH	m <sup>3</sup> /h	610
	l/s	169
	CFM	359
MED	m <sup>3</sup> /h	530
	l/s	147
	CFM	312
LOW	m <sup>3</sup> /h	450
	l/s	125
	CFM	265
QUIET	m <sup>3</sup> /h	290
	l/s	81
	CFM	171

## ■ Model: ASEH09KGTG

### ● Cooling

Fan speed	Airflow	
HIGH	m <sup>3</sup> /h	640
	l/s	178
	CFM	377
MED	m <sup>3</sup> /h	530
	l/s	147
	CFM	312
LOW	m <sup>3</sup> /h	420
	l/s	117
	CFM	247
QUIET	m <sup>3</sup> /h	270
	l/s	75
	CFM	159

### ● Heating

Fan speed	Airflow	
HIGH	m <sup>3</sup> /h	630
	l/s	175
	CFM	371
MED	m <sup>3</sup> /h	530
	l/s	147
	CFM	312
LOW	m <sup>3</sup> /h	450
	l/s	125
	CFM	265
QUIET	m <sup>3</sup> /h	290
	l/s	81
	CFM	171

## ■ Model: ASEH12KGTG

### ● Cooling

Fan speed	Airflow	
HIGH	m <sup>3</sup> /h	680
	l/s	189
	CFM	400
MED	m <sup>3</sup> /h	550
	l/s	153
	CFM	324
LOW	m <sup>3</sup> /h	430
	l/s	119
	CFM	253
QUIET	m <sup>3</sup> /h	260
	l/s	72
	CFM	153

### ● Heating

Fan speed	Airflow	
HIGH	m <sup>3</sup> /h	750
	l/s	208
	CFM	441
MED	m <sup>3</sup> /h	630
	l/s	175
	CFM	371
LOW	m <sup>3</sup> /h	510
	l/s	142
	CFM	300
QUIET	m <sup>3</sup> /h	320
	l/s	89
	CFM	188

## ■ Model: ASEH14KGTG

### ● Cooling

Fan speed	Airflow	
HIGH	m <sup>3</sup> /h	750
	l/s	208
	CFM	441
MED	m <sup>3</sup> /h	590
	l/s	164
	CFM	347
LOW	m <sup>3</sup> /h	450
	l/s	125
	CFM	265
QUIET	m <sup>3</sup> /h	290
	l/s	81
	CFM	171

### ● Heating

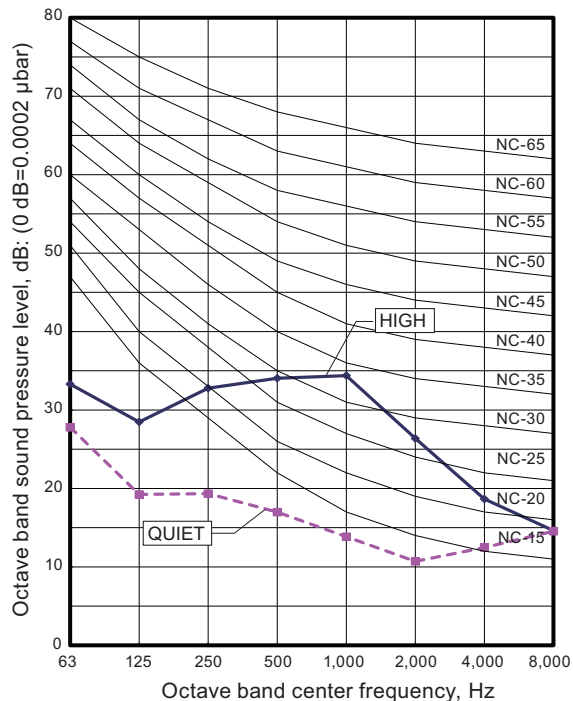
Fan speed	Airflow	
HIGH	m <sup>3</sup> /h	780
	l/s	217
	CFM	459
MED	m <sup>3</sup> /h	700
	l/s	194
	CFM	412
LOW	m <sup>3</sup> /h	510
	l/s	142
	CFM	300
QUIET	m <sup>3</sup> /h	350
	l/s	97
	CFM	206

# 7. Operation noise (sound pressure)

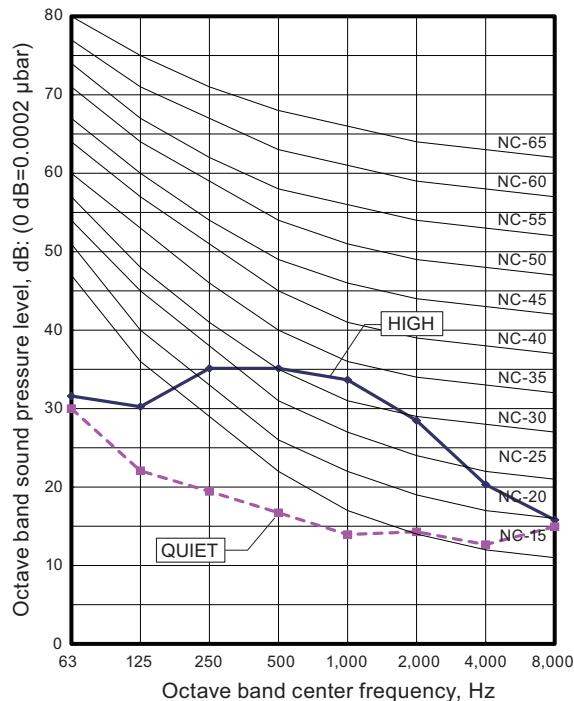
## 7-1. Noise level curve

### Model: ASEH07KGTG

#### ● Cooling

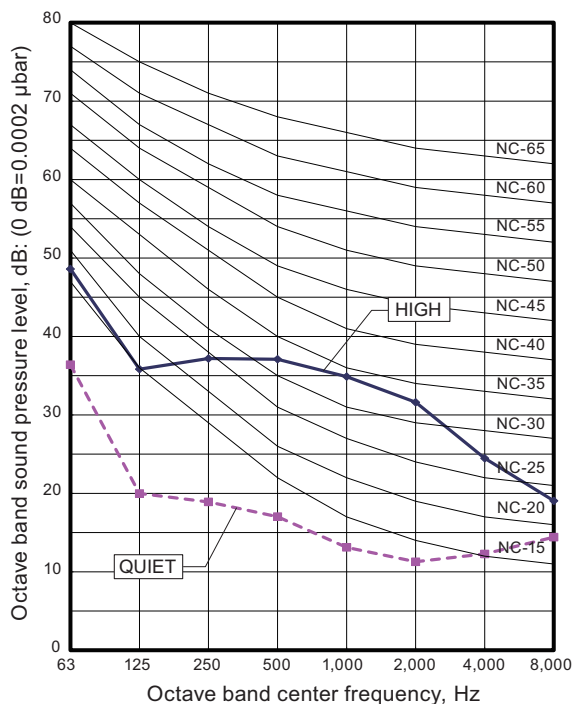


#### ● Heating

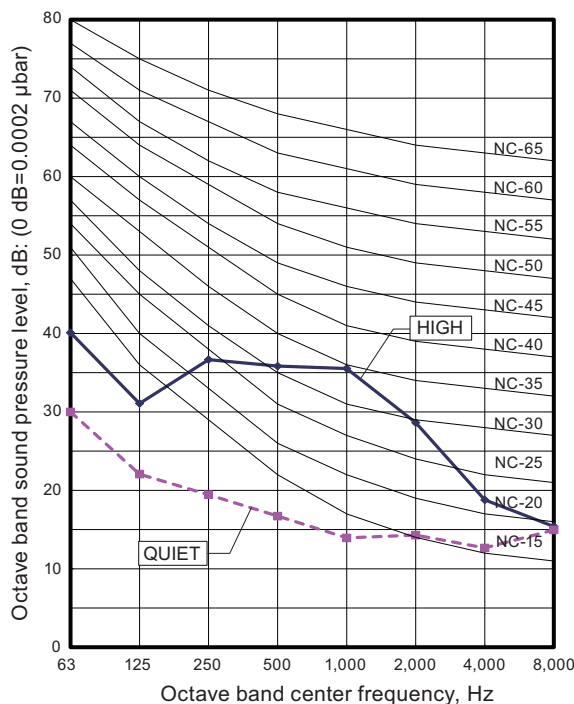


### Model: ASEH09KGTG

#### ● Cooling

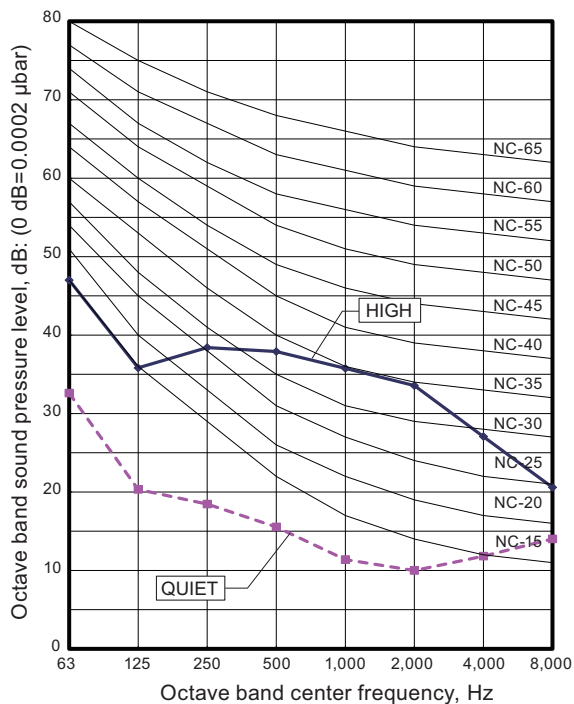


#### ● Heating

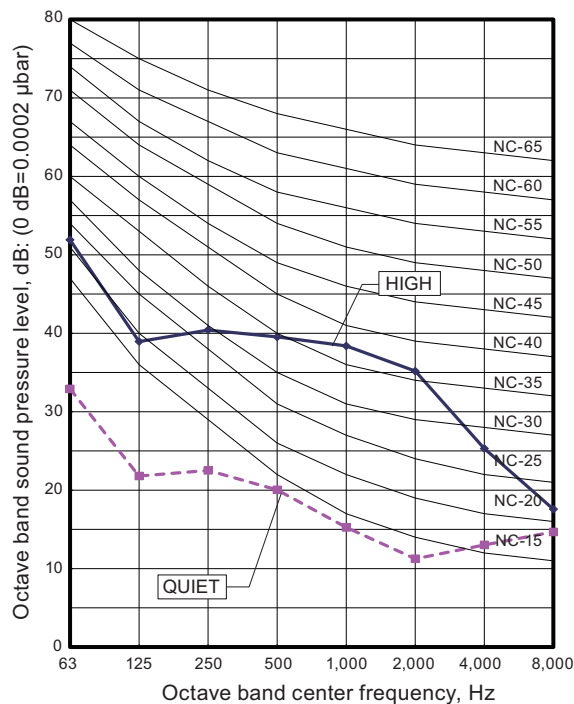


### Model: ASEH12KGTG

#### Cooling

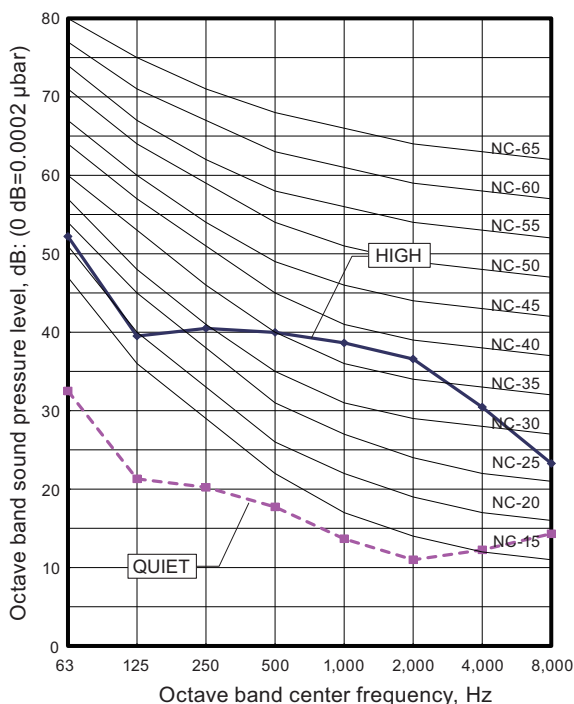


#### Heating

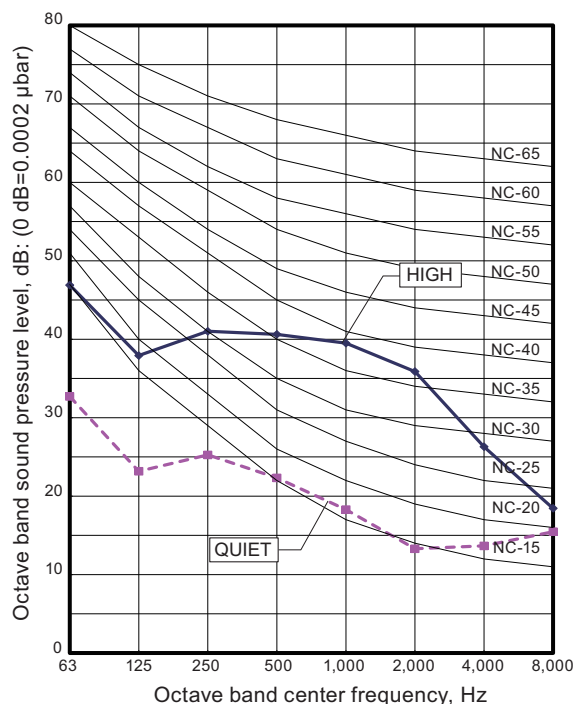


### Model: ASEH14KGTG

#### Cooling

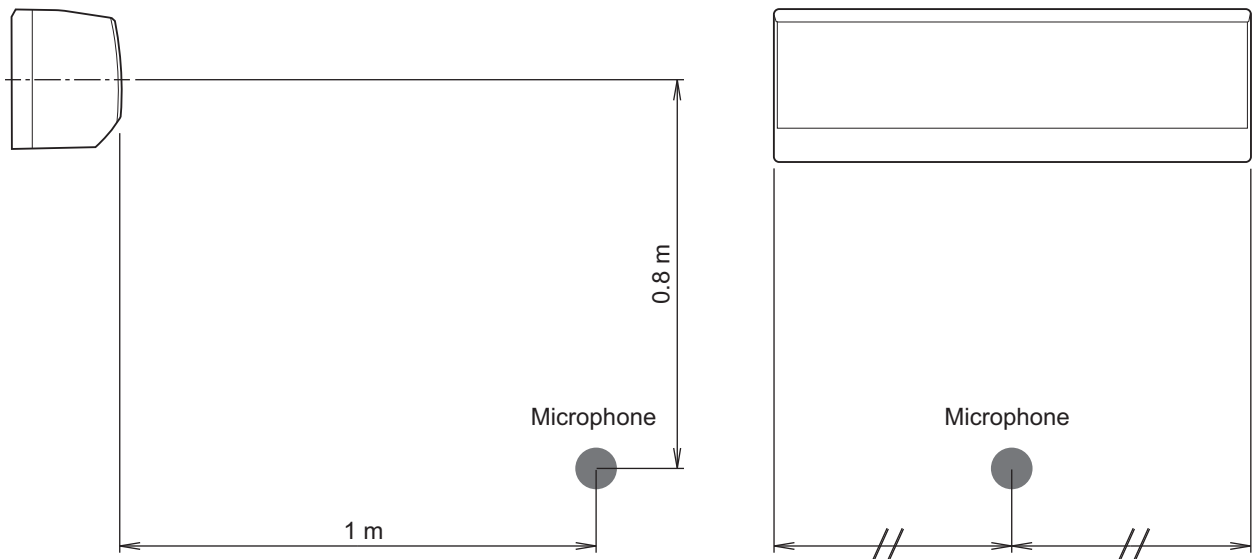


#### Heating





## 7-2. Sound level check point



**NOTE:** Detailed shape of the actual indoor unit might be slightly different from the one illustrated above.

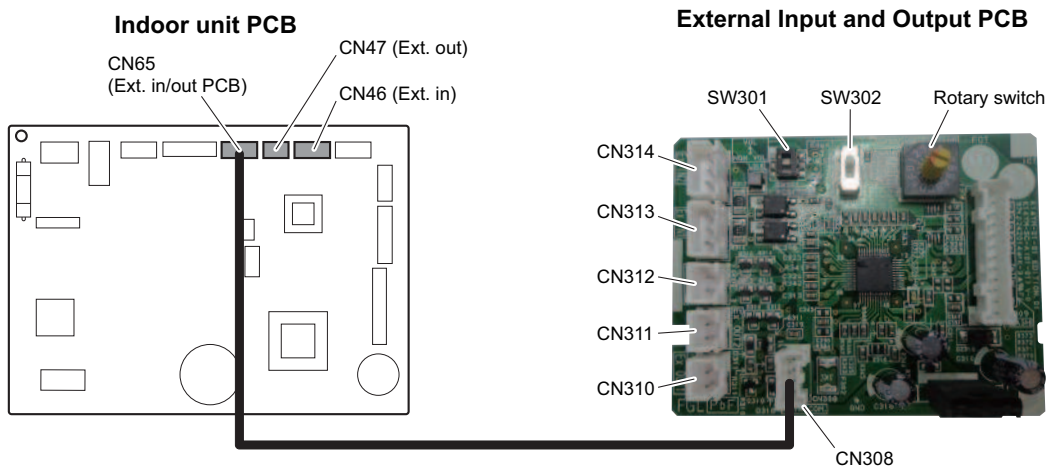
## 8. Safety devices

Type of protection	Protection form		Model	
			ASEH07KGTG	ASEH09KGTG
Circuit protection	Current fuse (PCB*)		250 V, 3.15 A	
Fan motor protection	Thermistor protection	Activate	110 ±15°C Fan motor speed down	
		Reset	110 ±15°C Fan motor speed recover	

Type of protection	Protection form		Model	
			ASEH12KGTG	ASEH14KGTG
Circuit protection	Current fuse (PCB*)		250 V, 3.15 A	
Fan motor protection	Power IC thermal shutdown protection	Activate	125 ±10°C Fan motor stop	
		Reset	100 ±10°C Fan motor restart	

\*PCB: Printed Circuit Board

# 9. External input and output



Connecting point		Input/Output	Function	Input select	Input signal
Indoor unit	CN46	Input	Operation/Stop Forced stop	Dry contact	Edge
	CN47	Output	Operation/Stop Error status Indoor unit fan operation status	—	—
External Input and Output PCB (UTY-XCSXZ2)	CN313 CN314	Input	Operation/Stop Forced stop	Dry contact/Apply voltage	Edge/Pulse
	CN313		Forced thermostat off		Edge
	CN310 CN311 CN312	Output	Operation/Stop Error status Indoor unit fan operation status	—	—

**NOTE:** For details of the switching function, refer to ["Setting of external input and output"](#) on page 29.

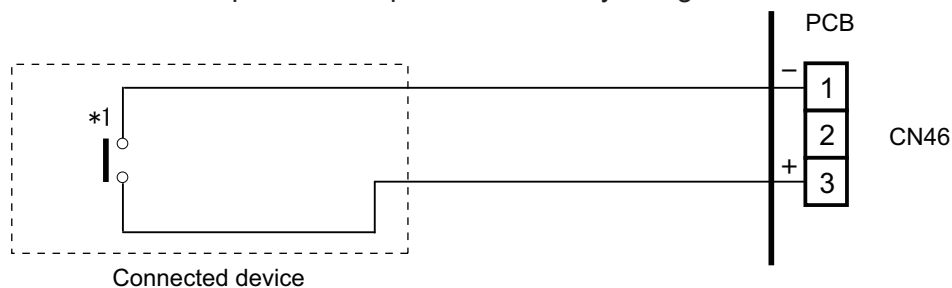
## 9-1. External input

With using external input function, some functions on this product can be controlled from an external device.

- "Operation/Stop" mode or "Forced stop" mode can be selected with function setting of indoor unit.
- A twisted pair cable should be used. Maximum length of cable is 150 m.
- Use an external input and output cable with appropriate external dimension, depending on the number of cables to be installed.
- The wire connection should be separate from the power cable line.

### ■ Indoor unit

Indoor unit functions such as Operation/Stop can be done by using indoor unit connectors.



\*1: The switch can be used on the following condition: DC 12 V to 24 V, 1 mA to 15 mA.

## External Input and Output PCB

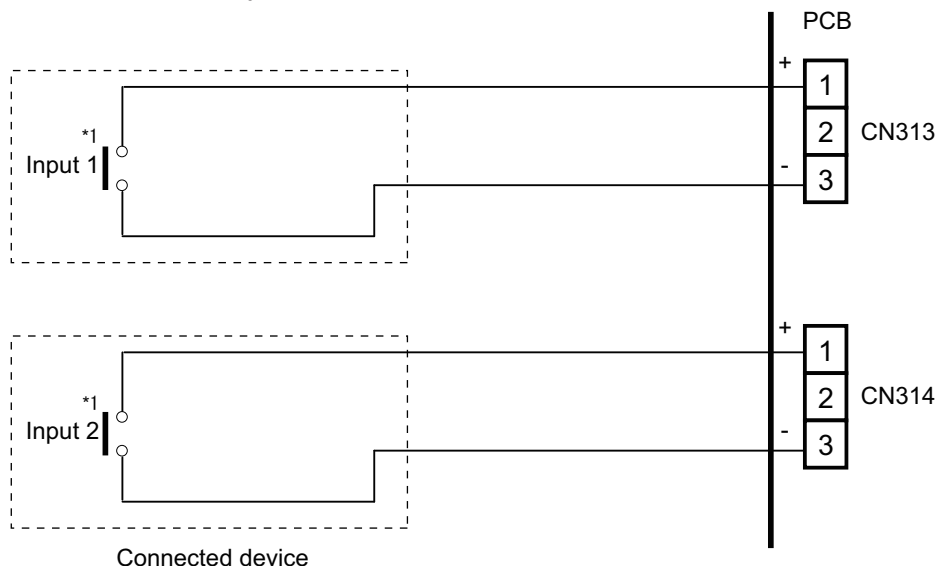
The indoor unit Operation/Stop can be set by using the input connector on the PCB.

### Input select

Use either one of these types of connectors according to the application. (Both types of connectors cannot be used simultaneously.)

#### – Dry contact

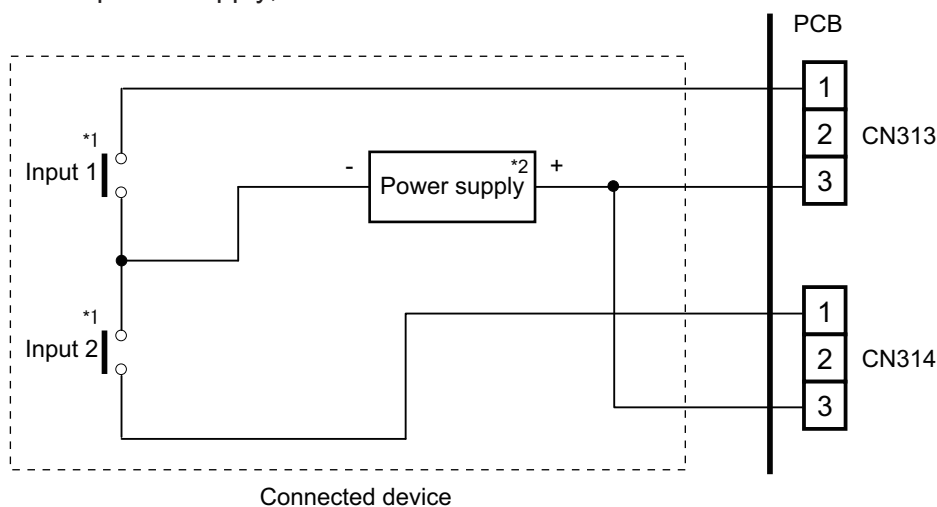
In case of internal power supply, set the slide switch of SW301 to "NON VOL" side.



\*1: The switches can be used on the following condition: DC 12 V to 24 V, 1 mA to 15 mA.

#### – Apply voltage

In case of external power supply, set the slide switch of SW301 to "VOL" side.



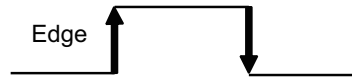
\*1: The switches can be used on the following condition: DC 12 V to 24 V, 1 mA to 15 mA.

\*2: Make the power supply DC 12 V to 24 V, 10 mA or more.

## Input signal type

- **Indoor unit**

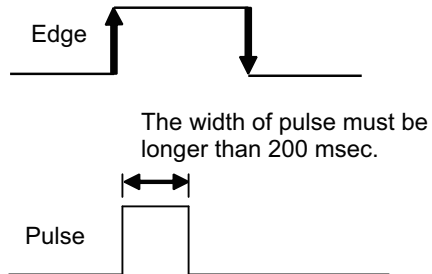
Input signal type is only "Edge".



- **External Input and Output PCB**

The input signal type can be selected.

Signal type (edge or pulse) can be switched by the DIP switch 2 (SW302) on the External Input and Output PCB.



**NOTE:** The input signal supports the following switch type:

- Edge: Alternate type switch
- Pulse: Momentary type switch

## 9-2. External output

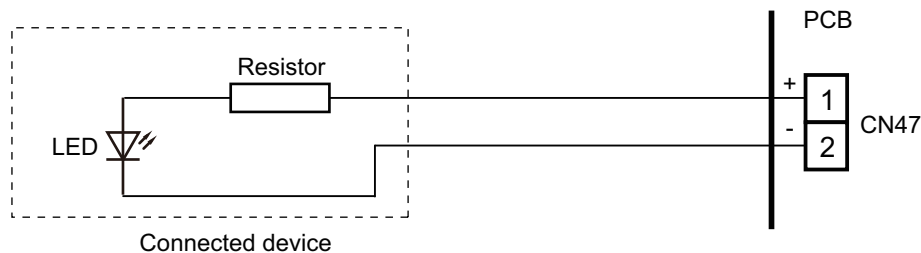
Use an external output cable with appropriate external dimension, depending on the number of cables to be installed.

### Indoor unit

- A twisted pair cable should be used. Maximum length of cable is 25 m.
- Output voltage: High DC 12 V  $\pm$ 2 V, Low 0 V.
- Permissible current: 50 mA
- For details, refer to "[Setting of external input and output](#)" on page 29.

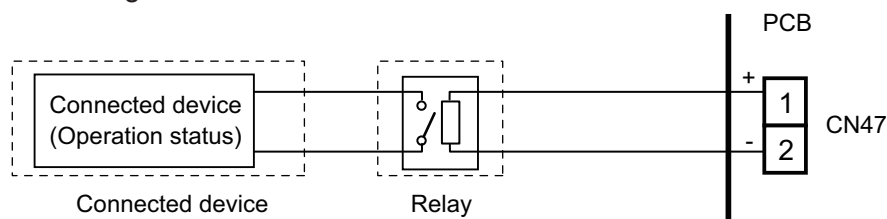
- **When indicator, etc. are connected directly**

**Example:** Function setting number 60 is set to "00"



- **When connecting with a device equipped with a power supply**

**Example:** Function setting number 60 is set to "00"

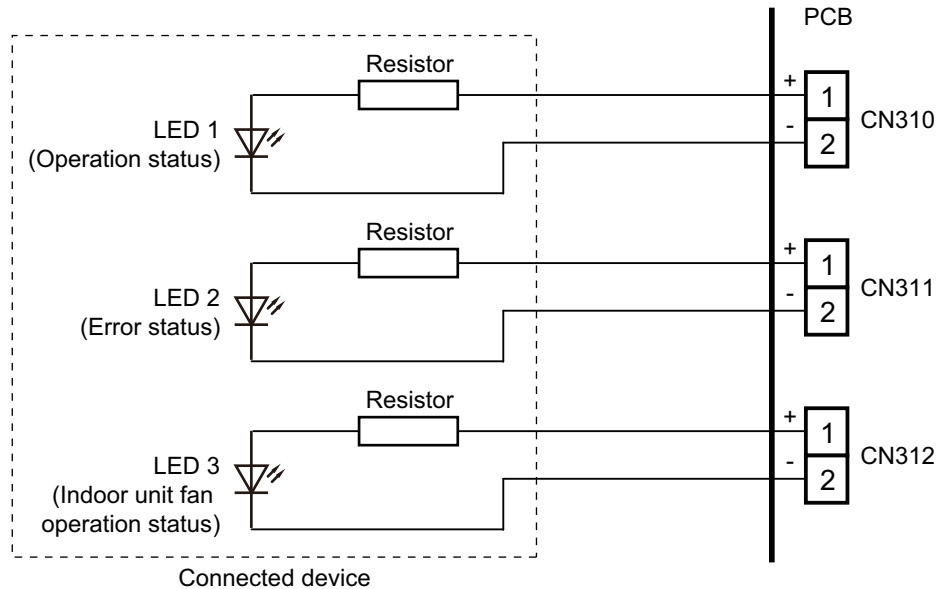


## External Input and Output PCB

- A twisted pair cable should be used. Maximum length of cable is 25 m.
- Output voltage: High DC 12 V  $\pm$ 2 V, Low 0 V.
- Permissible current: 50 mA
- For details, refer to "[Setting of external input and output](#)" on page 29.

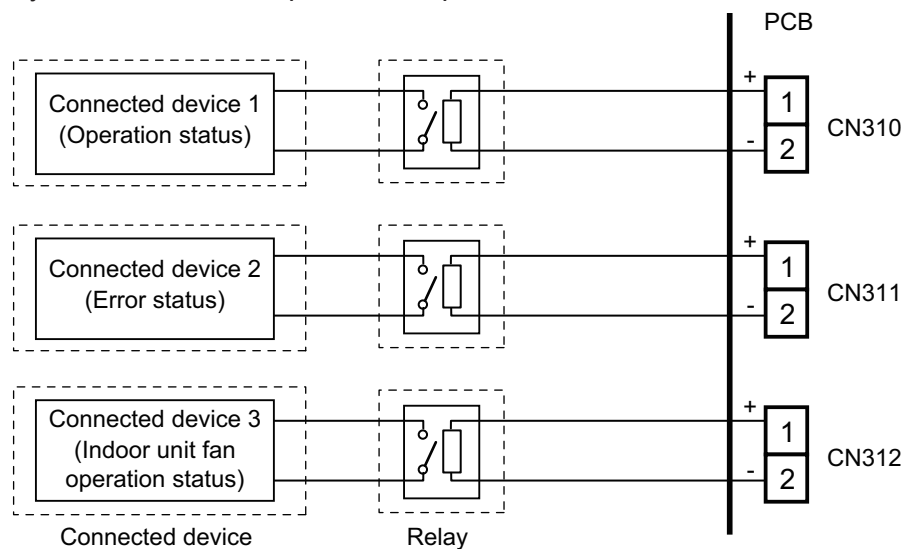
### When indicator or other components are connected directly:

**Example:** Rotary SW on External Input and Output PCB is set to "1".



### When connecting with a device equipped with a power supply:

**Example:** Rotary SW on External Input and Output PCB is set to "1".





## 9-3. Setting of external input and output

- Indoor unit

Input		
Connection point	Function setting number 46	Function
CN46	00	Operation/Stop mode 1 (R.C. enabled)
	01	(Setting prohibited)
	02	Forced stop mode
	03	Operation/Stop mode 2 (R.C. disabled)

Output		
Connection point	Function setting number 60	Function
CN47	00	Operation/Stop
	01 to 08	(Setting prohibited)
	09	Error status
	10	Indoor unit fan operation status
	11	(Setting prohibited)

- External Input and Output PCB

Switch setting		Input		Output		
Rotary switch	SW302	CN313	CN314	CN310	CN311	CN312
1	Edge	Operation/Stop	Not available	Operation/Stop	Error status	Indoor unit fan operation status
	Pulse	Operation	Stop			
2	Edge*	Forced thermostat off	Not available	Error status	Indoor unit fan operation status	Not available
3 to 9, A		(Setting prohibited)				
B		Forced thermostat off	Not available	Operation/Stop	Indoor unit fan operation status	Not available
C		Forced thermostat off	Not available	Operation/Stop	Error status	Not available
D		Forced thermostat off	Not available	Operation/Stop	Indoor unit fan operation status	Error status

### NOTES:

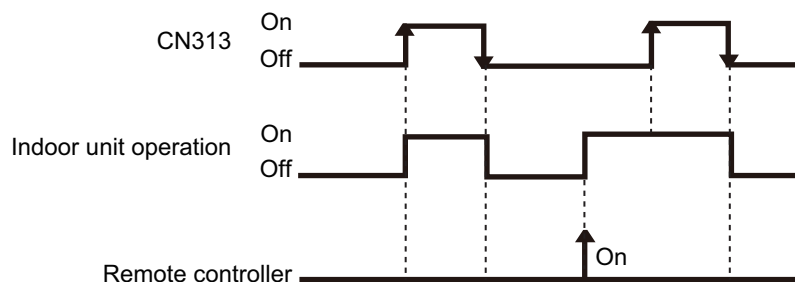
- When the rotary switch is selected to "1", the operation of the connector input of the indoor unit and the External Input and Output PCB input are the same. The operation content depends on the setting of function setting number 46.
- \*: The external input other than "Operation/Stop" is available only when the SW302 is set to "Edge".

## 9-4. Details of control input function

### ■ Operation/Stop mode 1

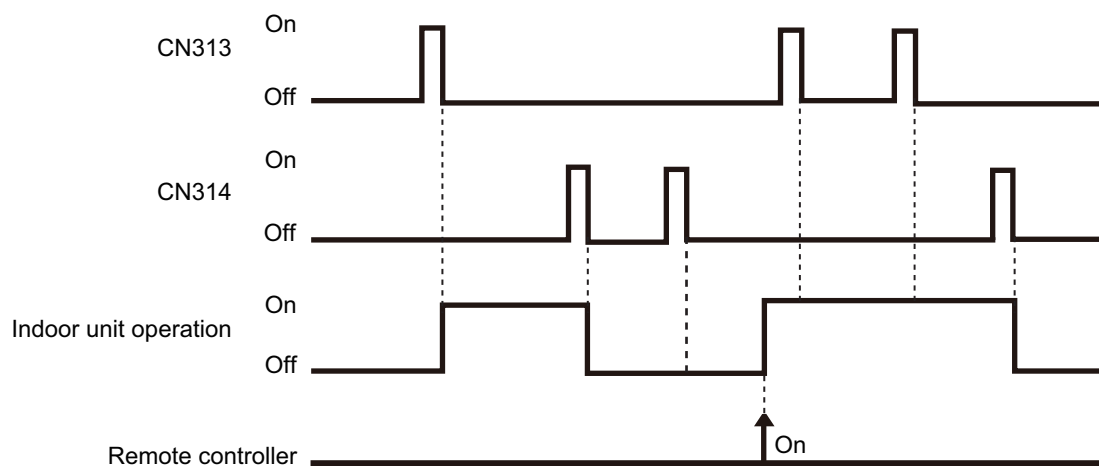
- In the case of "Edge" input

Function setting	External Input and Output PCB		External input		Input signal	Command
	Rotary switch	SW302				
46-00	—		Input of indoor unit	CN46	Off → On	Operation
	—				On → Off	Stop
	1	Edge	External Input and Output PCB	CN313	Off → On	Operation
					On → Off	Stop



- In the case of "Pulse" input

Function setting	External Input and Output PCB		External input		Input signal	Command
	Rotary switch	SW302				
46-00	1	Pulse	External Input and Output PCB	CN313	Pulse	Operation
				CN314		Stop



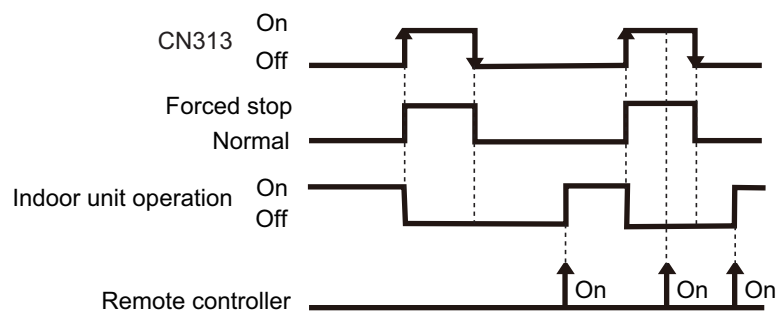
#### NOTES:

- The last command has priority.
- The indoor units within the same remote controller group operates in the same mode.

## ■ Forced stop

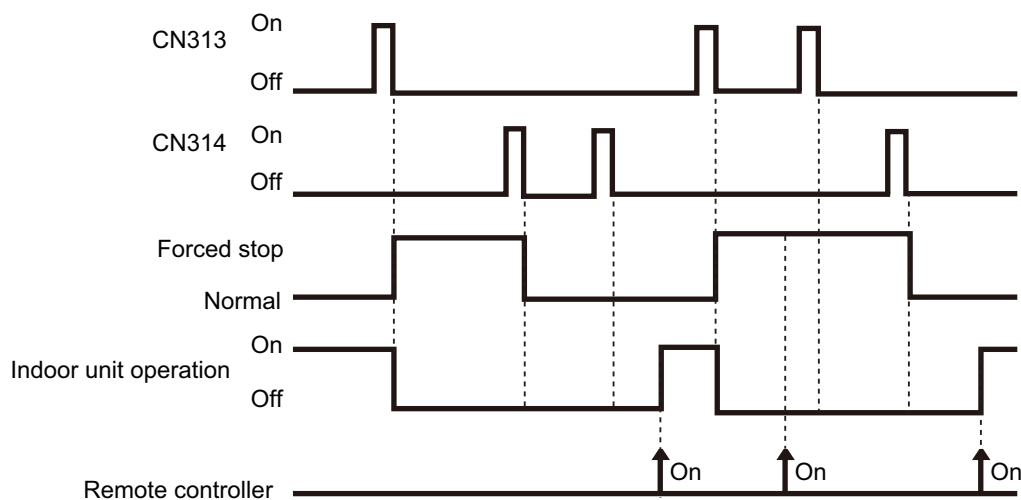
- In the case of "Edge" input

Function setting	External Input and Output PCB		External input		Input signal	Command
	Rotary switch	SW302				
46-02	—		Input of indoor unit	CN46	Off → On	Forced stop (R.C. disabled)
					On → Off	Normal (R.C. enabled)
	1	Edge	External Input and Output PCB	CN313	Off → On	Forced stop (R.C. disabled)
					On → Off	Normal (R.C. enabled)



- In the case of "Pulse" input

Function setting	External Input and Output PCB		External input		Input signal	Command
	Rotary switch	SW302				
46-02	1	Pulse	External Input and Output PCB	CN313	Pulse	Forced stop (R.C. disabled)
				CN314		Normal (R.C. enabled)



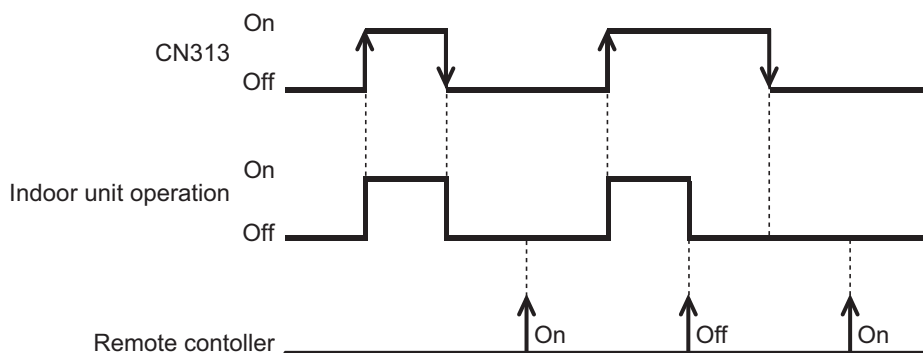
### NOTES:

- When the forced stop is triggered, indoor unit stops and Operation/Stop operation by the remote controller is restricted.
- When forced stop function is used with forming a remote controller group, connect the same equipment to each indoor unit within the group.

## ■ Operation/Stop mode 2

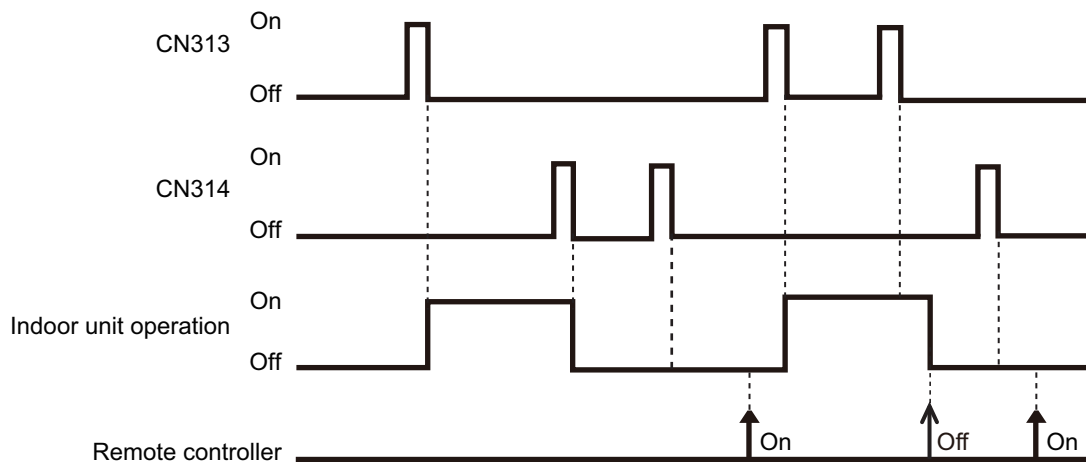
- In the case of “Edge” input

Function setting	External Input and Output PCB		External input		Input signal	Command
	Rotary switch	SW302				
46-03	—		Input of indoor unit	CN46	Off → On	Operation (R.C. enabled)
					On → Off	Stop (R.C. disabled)
	1	Edge	External Input and Output PCB	CN313	Off → On	Operation (R.C. enabled)
					On → Off	Stop (R.C. disabled)



- In the case of “Pulse” input

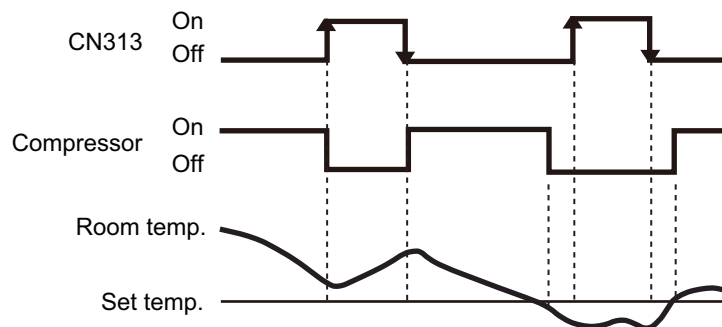
Function setting	External Input and Output PCB		External input		Input signal	Command
	Rotary switch	SW302				
46-03	1	Pulse	External Input and Output PCB	CN313	Pulse	Operation (R.C. enabled)
				CN314		Stop (R.C. disabled)



**NOTE:** When “Operation/Stop” mode 2 function is used with forming a remote controller group, connect the same equipment to each indoor unit within the group.

## ■ Forced thermostat off

External Input and Output PCB	External input		Input signal	Command
Rotary switch				
2, B, C, D	External Input and Output PCB	CN313	Off → On	Thermostat off
			On → Off	Normal operation

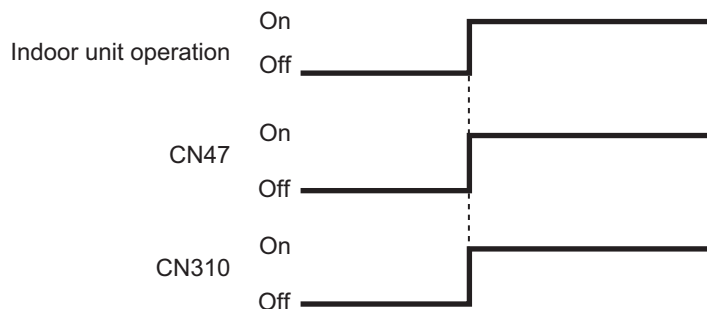


## 9-5. Details of control output function

### ■ Operation status

Function setting	External Input and Output PCB	External output		Output signal	Status
	Rotary switch				
60-00	1, 2	Output of indoor unit	CN47	Off → On	Operation
				On → Off	Stop
—	1, B, C, D	External Input and Output PCB	CN310	Off → On	Operation
				On → Off	Stop

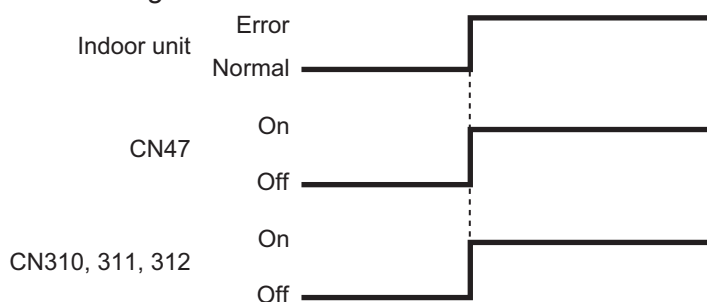
The output is low when the unit is stopped.



### ■ Error status

Function setting	External Input and Output PCB	External output		Output signal	Status
	Rotary switch				
60-09	—	Output of indoor unit	CN47	Off → On	Error
				On → Off	Normal
—	2	External Input and Output PCB	CN310	Off → On	Error
				On → Off	Normal
—	1, C	External Input and Output PCB	CN311	Off → On	Error
				On → Off	Normal
—	D	External Input and Output PCB	CN312	Off → On	Error
				On → Off	Normal

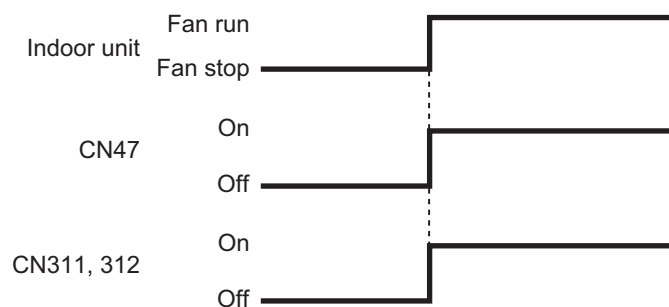
The output is on when an error is generated for the indoor unit.



## ■ Indoor unit fan operation status

Function setting	External Input and Output PCB	External output		Output signal	Status
	Rotary switch				
60-10	C	Output of indoor unit	CN47	Off → On	Fan run
				On → Off	Fan stop
—	2, B, D	External Input and Output PCB	CN311	Off → On	Fan run
				On → Off	Fan stop
—	1	External Input and Output PCB	CN312	Off → On	Fan run
				On → Off	Fan stop

Output signal	Condition
On	The indoor unit fan is operating.
Off	The fan is stopped or during cold air prevention. During thermostat off when in dry mode operation.



## 10. Group connection

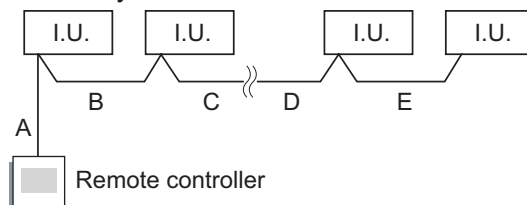
**NOTE:** Group control cannot be used together with WLAN Adapter.

### Installation procedure for group control system:

A number of indoor units can be operated at the same time using a single remote controller.

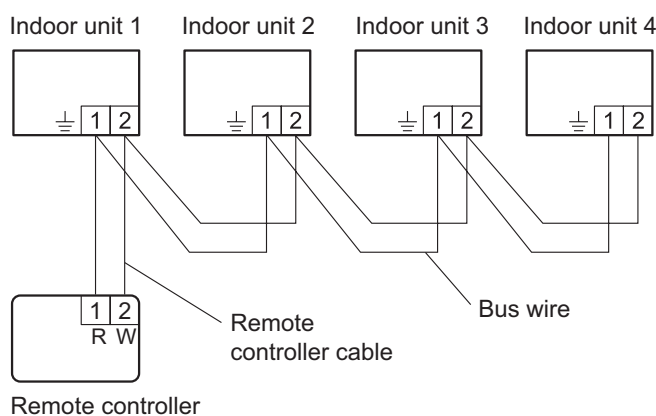
**NOTE:** When different type of indoor units (such as wall-mounted type and cassette type, cassette type and duct type, or other combinations) are connected using group control system, some functions may no longer be available.

1. Connect up to 16 indoor units in a system.



A, B, C, D, E: Remote controller cable	
Wiring length limitation	$A + B + C + D + E \leq 500 \text{ m}$

Example of wiring method



2. Automatic address setting

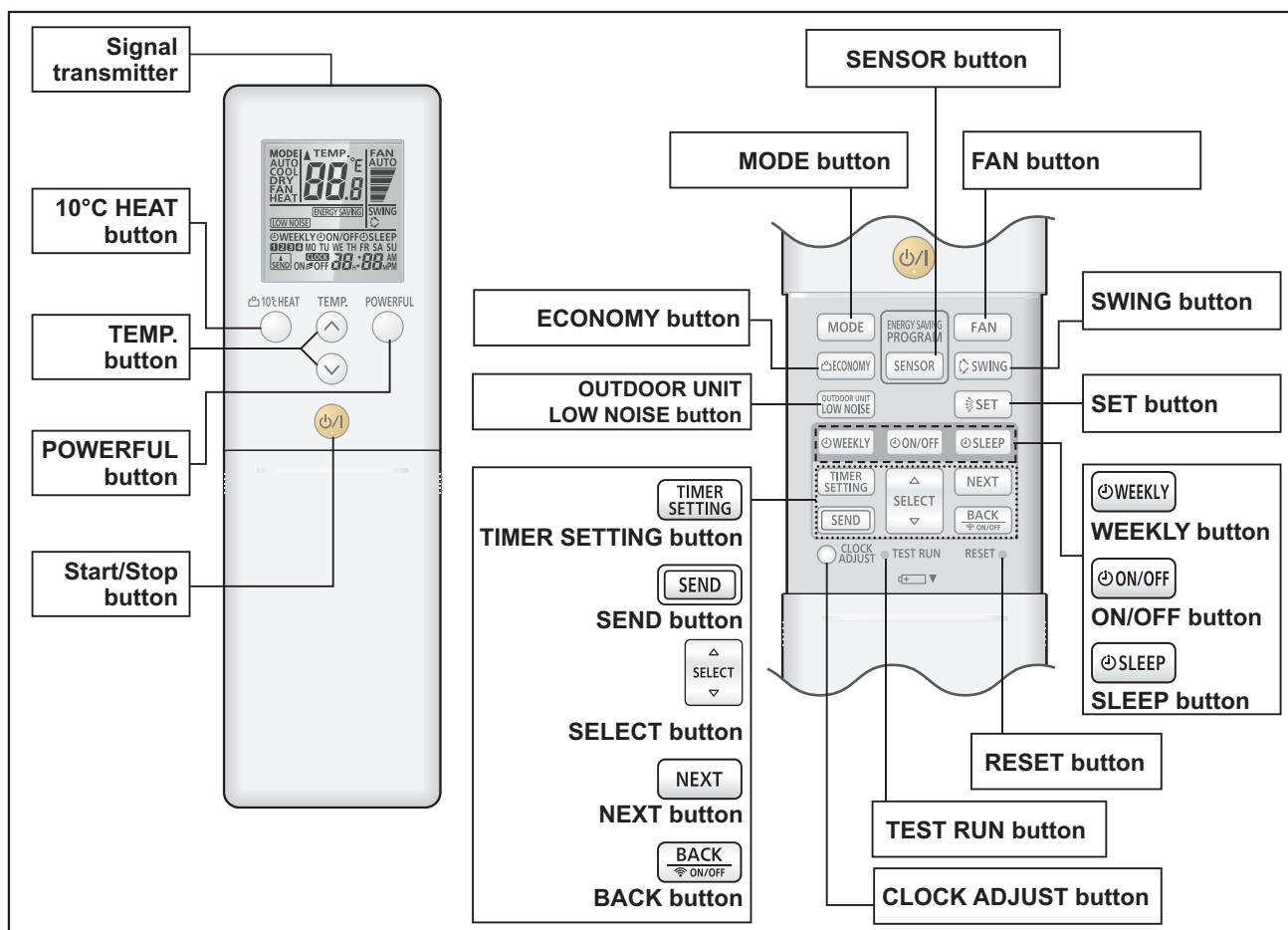
After the remote controller connection in the system, the automatic address setting runs in the initial starting up. Do not change the remote controller address for the indoor unit.



# 11. Remote controller

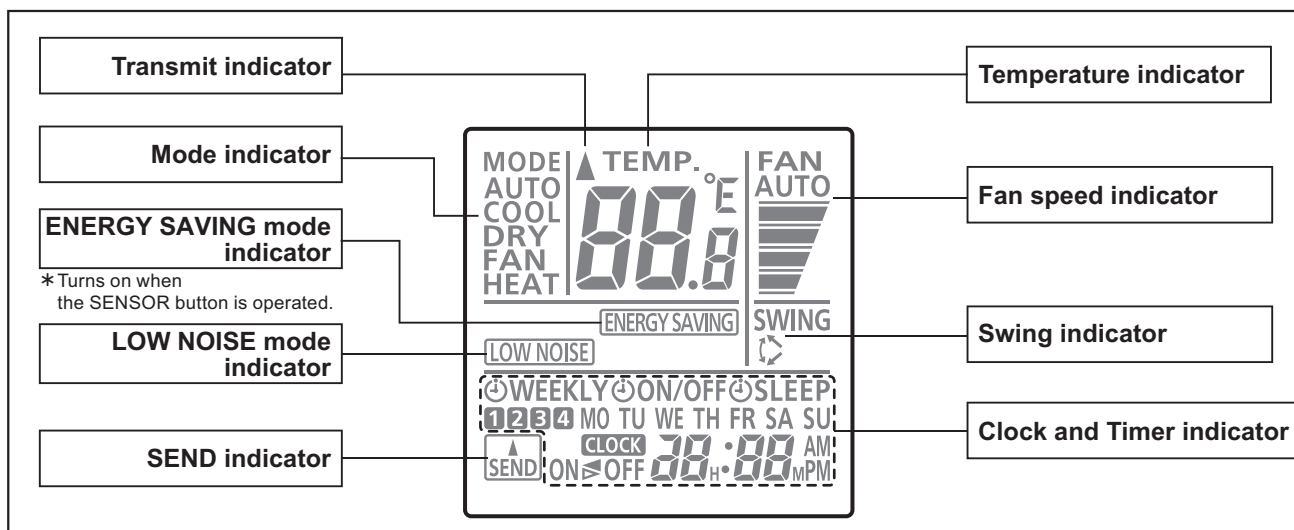
## 11-1. Wireless remote controller

### Overview



**NOTE:** Functions may differ by type of the indoor unit. For details, refer to the operation manual.

### Display panel

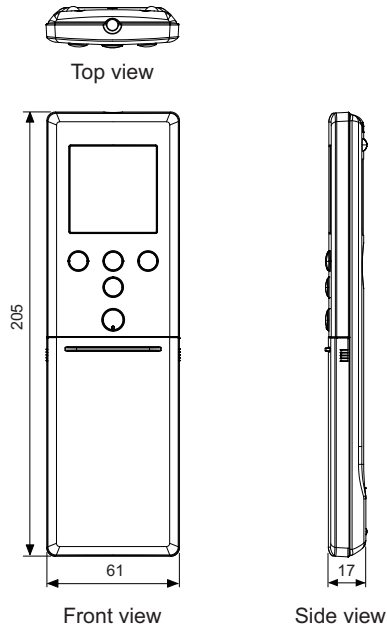


To facilitate explanation, the accompanying illustration has been drawn to show all possible indicators; in actual operation, however, the display will only show those indicators appropriate to the current operation.

# Specifications

## ● Controller

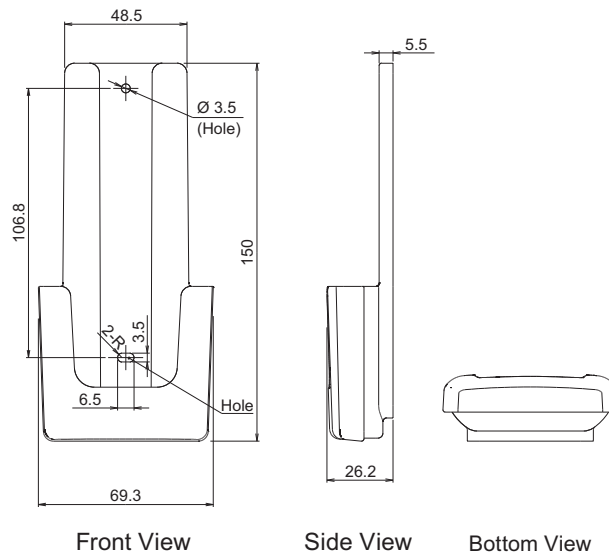
Unit: mm



Size (H × W × D)	mm	205 × 61 × 17
Weight	g	124 (without batteries)

## ● Holder

Unit: mm



Size (H × W × D)	mm	150 × 69.3 × 26.2
Weight	g	27

## 12. Function settings

To adjust the functions of this product according to the installation environment, various types of function settings are available.

**NOTE:** Incorrect settings can cause a product malfunction.

### 12-1. Function settings by using remote controller

Some function settings can be changed on the remote controller. After confirming the setting procedure and the content of each function setting, select appropriate functions for your installation environment.

#### ■ Setting procedure by using wireless remote controller

The function number and the associated setting value are displayed on the LCD of the remote controller. Follow the instructions written in the local setup procedure supplied with the remote controller, and select appropriate setting according to the installation environment.

**Before connecting the power supply of the indoor unit, reconfirm following items:**

- Cover for the electrical enclosure on the outdoor unit is in place.
- There is no wiring mistake.
- Piping air tightness test and vacuuming have been performed firmly.
- All the necessary wiring work for outdoor unit has been finished.

After reconfirming the items listed above, connect the power supply of the indoor unit.

#### NOTES:

- Settings will not be changed if invalid numbers or setting values are selected.
- When optional wired remote controller is used, refer to the installation manual enclosed with the remote controller.

#### Entering function setting mode:

While pressing the POWERFUL button and TEMP. (^) button simultaneously, press the RESET button to enter the function setting mode.

#### Selecting the function number and setting value:

1. Press the TEMP. (^) (v) buttons to select the function number. To switch between the left and right digits, press the 10 °C HEAT button.
2. Press the POWERFUL button to proceed to value setting. To return the function number selection, press the POWERFUL button again.
3. Press the TEMP. (^) (v) buttons to select the setting value. To switch between the left and right digits, press the 10 °C HEAT button.
4. Press the MODE button once. Confirm that you hear the beep sound.
5. Press the START/STOP button to fix the function setting. Confirm that you hear the beep sound.
6. Press the RESET button to end the function setting mode.
7. After completing the function setting, be sure to disconnect the power supply and then reconnect it.

Function number  
Setting value



#### ⚠ CAUTION

After disconnecting the power supply, wait 30 seconds or more before reconnecting it. The function setting will not become active unless the power supply is disconnected and then reconnected.

**NOTES:**

- The air conditioner custom code is set to  $\overline{H}$  prior to shipment.
- If you do not know the air conditioner custom code setting, try each of the custom codes ( $\overline{H} \rightarrow \overline{b}$   
 $\rightarrow \overline{c} \rightarrow \overline{d}$ ) until you find the code that operates the air conditioner.

## ■ Contents of function setting

Each function setting listed in this section is adjustable in accordance with the installation environment.

**NOTE:** Setting will not be changed if invalid numbers or setting values are selected.

### ● Function setting list

	Function no.	Functions
1)	11	Filter sign
2)	30/31	Room temperature control for indoor unit sensor
3)	35/36	Room temperature control for wired remote controller sensor
4)	40	Auto restart
5)	42	Room temperature sensor switching
6)	44	Remote controller custom code
7)	46	External input control
8)	48	Room temperature sensor switching (Aux.)
9)	49	Indoor unit fan control for energy saving for cooling
10)	60	Switching functions for external output terminal

#### 1) Filter sign

Select appropriate intervals for displaying the filter sign on the indoor unit according to the estimated amount of dust in the air of the room.

If the indication is not required, select "No indication" (03).

Function number	Setting value	Setting description	Factory setting
11	00	Standard (400 hours)	
	01	Long interval (1,000 hours)	
	02	Short interval (200 hours)	
	03	No indication	◆

## 2) Room temperature control for indoor unit sensor

Depending on the installed environment, correction of the room temperature sensor may be required. Select the appropriate control setting according to the installed environment.

The temperature of the room temperature sensor is corrected as follows:

Corrected temp. = Temp. of the room temp. sensor - Correction temp. value

Example of correction:

When the temperature of the room temp. sensor is 26°C and the setting value is "03" (-1.0°C), corrected temp. will be 27°C (26°C - [-1.0°C]).

The temperature correction values show the difference from the Standard setting "00" (manufacturer's recommended value).

Function number		Setting value	Setting description	Factory setting	
30 (For cooling)	31 (For heating)	00	Standard setting	◆	
		01	No correction 0.0°C		
		02	-0.5°C	More cooling Less heating	
		03	-1.0°C		
		04	-1.5°C		
		05	-2.0°C		
		06	-2.5°C		
		07	-3.0°C		
		08	-3.5°C		
		09	-4.0°C		
		10	+0.5°C	Less cooling More heating	
		11	+1.0°C		
		12	+1.5°C		
		13	+2.0°C		
		14	+2.5°C		
		15	+3.0°C		
		16	+3.5°C		
17	+4.0°C				

### 3) Room temperature control for wired remote controller sensor

Depending on the installed environment, correction of the wire remote temperature sensor may be required. Select the appropriate control setting according to the installed environment.

To change this setting, set Function 42 to Both "01".

Ensure that the Thermo Sensor icon is displayed on the remote controller screen.

Function number		Setting value	Setting description	Factory setting	
35 (For cooling)	36 (For heating)	00	Standard setting	◆	
		01	No correction 0.0°C		
		02	-0.5°C	More cooling Less heating	
		03	-1.0°C		
		04	-1.5°C		
		05	-2.0°C		
		06	-2.5°C		
		07	-3.0°C		
		08	-3.5°C		
		09	-4.0°C		
		10	+0.5°C	Less cooling More heating	
		11	+1.0°C		
		12	+1.5°C		
		13	+2.0°C		
		14	+2.5°C		
		15	+3.0°C		
		16	+3.5°C		
17	+4.0°C				

### 4) Auto restart

Enables or disables automatic restart after a power interruption.

Function number	Setting value	Setting description	Factory setting
40	00	Enable	◆
	01	Disable	

**NOTE:** Auto restart is an emergency function such as for power outage etc. Do not attempt to use this function in normal operation. Be sure to operate the unit by remote controller or external device.

### 5) Room temperature sensor switching

(Only for wired remote controller)

When using the wired remote controller temperature sensor, change the setting to "Both" (01).

Function number	Setting value	Setting description	Factory setting
42	00	Indoor unit	◆
	01	Both	

00: Sensor on the indoor unit is active.

01: Sensors on both indoor unit and wired remote controller are active.

**NOTE:** Remote controller sensor must be turned on by using the remote controller.

**6) Remote controller custom code**

(Only for wireless remote controller)

The indoor unit custom code can be changed. Select the appropriate custom code.

Function number	Setting value	Setting description	Factory setting
44	00	A	◆
	01	B	
	02	C	
	03	D	

**7) External input control**

"Operation/Stop" mode or "Forced stop" mode can be selected.

Function number	Setting value	Setting description	Factory setting
46	00	Operation/Stop mode 1 (Remote controller enabled)	◆
	01	(Setting prohibited)	
	02	Forced stop mode	
	03	Operation/Stop mode 2 (Remote controller disabled)	

**8) Room temperature sensor switching (Aux.)**

To use the temperature sensor on the wired remote controller only, change the setting to "Wired remote controller" (01).

This function will only work if the function setting 42 is set at "Both" (01).

When the setting value is set to "Both" (00), more suitable control of the room temperature is possible by setting function setting 30 and 31 too.

Function number	Setting value	Setting description	Factory setting
48	00	Both	◆
	01	Wired remote controller	

**9) Indoor unit fan control for energy saving for cooling**

Enables or disables the power-saving function by controlling the indoor unit fan rotation when the outdoor unit is stopped during cooling operation.

Function number	Setting value	Setting description	Factory setting
49	00	Disable	
	01	Enable	
	02	Remote controller	◆

00: When the outdoor unit is stopped, the indoor unit fan operates continuously following the setting on the remote controller.

01: When the outdoor unit is stopped, the indoor unit fan operates intermittently at a very low speed.

02: Enable or disable this function by remote controller setting.

**NOTE:** Set to "00" or "01" when connecting a remote controller that cannot set the Fan control for energy saving function or connecting a network converter. To confirm if the remote controller has this setting, refer to the operating manual of each remote controller.

**10) Switching functions for external output terminal**

Functions of the external output terminal can be switched. For details, refer to “External input and output”.

Function number	Setting value	Setting description	Factory setting
60	00	Operation status	◆
	01—08	(Setting prohibited)	
	09	Error status	
	10	Indoor unit fan operation status	
	11	(Setting prohibited)	



## 12-2. Custom code setting for wireless remote controller

To interconnect the air conditioner and the wireless remote controller, assignment of the custom code for the wireless remote controller is required.

**NOTE:** Air conditioner cannot receive a signal if the air conditioner has not been set for the custom code.

When 2 or more air conditioners are installed in a room, and the remote controller is operating an air conditioner other than the one you wish to set, change the custom code of the remote controller to operate only the air conditioner you wish to set. (4 selections possible.)

Confirm the setting of the remote controller custom code and the function setting. If these do not match, the remote controller cannot be used to operate for the air conditioner.

1. Press the START/STOP button until only the clock is displayed on the remote controller display.
2. Press the MODE button for at least 5 seconds to display the current custom code. (Initially set to  $\text{A}$ .)
3. Press the TEMP. ( $\wedge$ ) ( $\vee$ ) buttons to change the custom code between  $\text{A} \rightarrow \text{B} \rightarrow \text{C} \rightarrow \text{D}$ . Match the code on the display to the air conditioner custom code. (Initially set to  $\text{A}$ .)
4. Press the MODE button again to return to the clock display. The custom code will be changed.




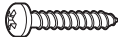

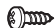
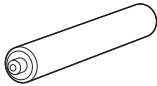
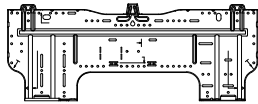


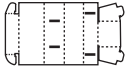
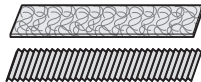
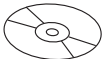


### NOTES:

- If no button is pressed within 30 seconds after the custom code is displayed, the system returns to the original clock indicator. In this case, start again from step 1.
- The air conditioner custom code is set to  $\text{A}$  prior to shipment. To change the custom code, contact your retailer.
- If you do not know the assigned code for the air conditioner, try each of the custom code ( $\text{A} \rightarrow \text{B} \rightarrow \text{C} \rightarrow \text{D}$ ) until you find the code which operates the air conditioner.


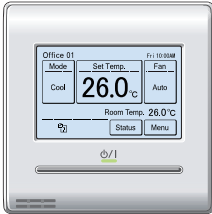
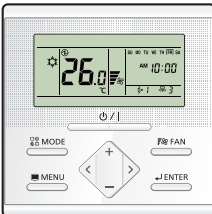


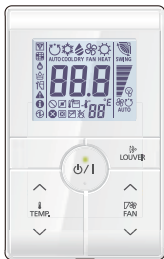
## 13. Accessories

### 13-1. Models: ASEH07KGTG, ASEH09KGTG, ASEH12KGTG, and ASEH14KGTG

Part name	Exterior	Qty	Part name	Exterior	Qty
Operation manual		1	Cloth tape		1
Installation manual		1	Self-tapping screw (large)		5
Remote controller		1	Self-tapping screw (small)		2
Battery		2	Wall hook bracket		1
Remote controller holder		1	Filter holder		2
Installation spacer		1	Air cleaning filters		1
Operation manual (CD-ROM)		1			

## 14. Optional parts


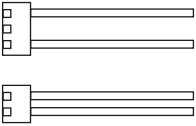
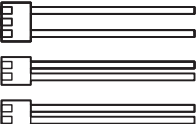

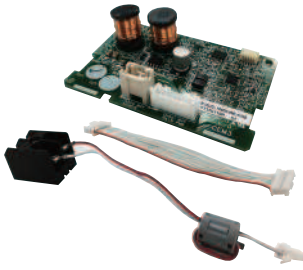



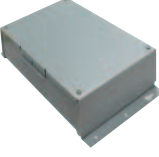

### 14-1. Controllers

Exterior	Part name	Model name	Summary
	Wired Remote Controller (Touch Panel)	UTY-RVRY	Remote controller that provides the functions you need in a sleek design that uniquely transforms itself to blend with any interior. Wire type: Non-polar 2-wire Optional Communication Kit is necessary for installation.
	Wired Remote Controller	UTY-RNRYZ*	Easy finger touch operation with LCD panel. Backlit LCD enables easy operation in a dark room. Wire type: Non-polar 2-wire Optional Communication Kit is necessary for installation.
	Wired Remote Controller	UTY-RLRY	High visibility and easy operation. Room temperature can be accurately controlled using the thermo sensor. Wire type: Non-polar 2-wire Optional Communication Kit is necessary for installation.
	Compact Wired Remote Controller	UTY-RCRYZ1	Compact body and easy operation. Room temperature can be accurately controlled using the thermo sensor. Wire type: Non-polar 2-wire Optional Communication Kit is necessary for installation.
	Simple Remote Controller	UTY-RSRY	Compact remote controller concentrates on the basic functions such as Start/Stop, fan control, temperature setting, and operation mode. Wire type: Non-polar 2-wire Optional Communication Kit is necessary for installation.
	Simple Remote Controller	UTY-RHRY	Compact remote controller concentrates on the basic functions such as Start/Stop, fan control, and temperature setting. Wire type: Non-polar 2-wire Optional Communication Kit is necessary for installation.

#### NOTES:

- Available functions may differ by the remote controller. For details, refer to the operation manual.
- When using the group controlling system of the Wired Remote Controller, using WLAN Adapter is prohibited.

## 14-2. Others

Exterior	Part name	Model name	Summary
	Air Cleaning Filter	UTR-FA16-5	Air Cleaning Filter can be mounted to the indoor unit.
	External Connect Kit	UTY-XWZX	Use to connect with various peripheral devices and air conditioner PCB. Connecting point: CN46 and CN47 on Main PCB
	External Connect Kit	UTY-XWZXZ5	Required when external device is connected. Connecting point: CN46 and CN47 on Main PCB
	External Input and Output PCB	UTY-XCSXZ2	Use to connect with external devices and air conditioner PCB. Optional External Connect Kit is necessary for installation. Connecting point: CN65 on Main PCB
	Communication Kit	UTY-TWRXZ2	Use to connect Non-polar 2-core wired remote controller.
	Modbus Converter	UTY-VMSX	For connection between indoor unit with UART interface and a Modbus open network. Connecting point: CN65 on Main PCB
	KNX Converter	UTY-VKSX	For connection between indoor unit with UART interface and a KNX open network. Connecting point: CN65 on Main PCB
	Network Converter	UTY-VTGX	This converter is required when connecting single split system to VRF network system. Use the terminal for Wired Remote Controller.
	Network Converter (AC power supply)	UTY-VTGXV	This converter is required when connecting single split system to VRF network system. Use the terminal for Wired Remote Controller.
	External Switch Controller	UTY-TERX	Air conditioner switching can be controlled by connecting other external sensor switches. Use the terminal for Wired Remote Controller.

# **Part 2. OUTDOOR UNIT**

---

**SINGLE TYPE:**

**AOEH07KGCG**

**AOEH09KGCG**

**AOEH12KGCG**

**AOEH14KGCG**

# 1. Specifications

Type			Inverter, Heat pump				
Model name			AOEH07KGCG	AOEH09KGCG	AOEH12KGCG	AOEH14KGCG	
Power supply			230 V~ 50 Hz				
Power supply intake			Outdoor unit				
Available voltage range			198—264 V				
Starting current			A		4.5	6.7	
Fan	Airflow rate	Cooling	m <sup>3</sup> /h	1,390	1,480	1,800	
		Heating		1,350	1,420	1,690	
	Type × Qty	Propeller fan × 1					
	Motor output	W 23					
Sound pressure level*		Cooling	dB (A)	42	44	50	
		Heating		43	45	50	
Sound power level		Cooling		56	58	65	
		Heating		56	58	66	
Heat exchanger type	Dimensions (H × W × D)	mm	Main 1: 504 × 888 × 18.19		Main 1: 504 × 881 × 18.19		
	Fin pitch		Main 2: 504 × 510 × 18.19		Main 2: 504 × 801 × 18.19		
	Rows × Stages	Main 1: 1.3 Main 2: 1.3					
	Pipe type	Main 1: 1 × 24 Main 2: 1 × 24					
	Fin type	Type (Material)	Copper				
		Surface treatment	Aluminum PC fin				
Compressor	Type	DC rotary					
	Motor output	W	900				
Refrigerant	Type (Global warming potential)	R32 (675)					
	Charge	g	750	850			
Refrigerant oil	Type	POE (RB68A)					
	Amount	cm <sup>3</sup>	340				
Enclosure	Material	Steel sheet					
	Color	Beige Approximate color of Munsell 10YR 7.5/1.0					
Dimensions (H × W × D)	Net	mm	542 × 799 × 290				
	Gross		602 × 940 × 375				
Weight	Net	kg	30	31	32		
	Gross		34	35		36	
Connection pipe	Size	Liquid	mm (in)	Ø6.35 (Ø1/4)			
		Gas		Ø9.52 (Ø3/8)			
	Method	Flare					
	Pre-charge length	m	15				
	Max. length		20				
Max. height difference	15						
Operation range		Cooling	°C	-10 to 50			
		Heating		-15 to 24			
Drain hose	Material	Polypropylene					
	Tip diameter	mm	Ø13.0 (I.D.), Ø16.0 to Ø16.8 (O.D.)				
<b>NOTES:</b>							
<ul style="list-style-type: none"> <li>Specifications are based on the following conditions: <ul style="list-style-type: none"> <li>Cooling: Indoor temperature of 27°CDB/19°CWB, and outdoor temperature of 35°CDB/24°CWB.</li> <li>Heating: Indoor temperature of 20°CDB/15°CWB, and outdoor temperature of 7°CDB/6°CWB.</li> <li>Pipe length: 5.0 m, Height difference: 0 m. (Between outdoor unit and indoor unit.)</li> </ul> </li> <li>Protective function might work when using it outside the operation range.</li> <li>*: Sound pressure level <ul style="list-style-type: none"> <li>Measured values in manufacturer's anechoic chamber.</li> <li>Because of the surrounding sound environment, the sound levels measured in actual installation conditions might be higher than the specified values here.</li> </ul> </li> <li>This data is based on EN 14511 standard.</li> </ul>							

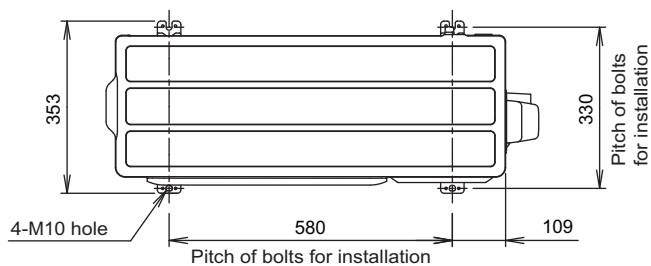
## 2. Dimensions

### 2-1. Models: AOEH07KGCG, AOEH09KGCG, AOEH12KGCG, and AOEH14KGCG

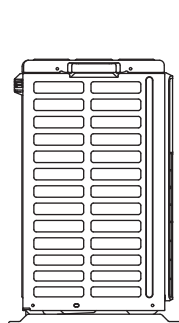
Unit: mm

OUTDOOR UNIT  
AOEH07-14KGCG

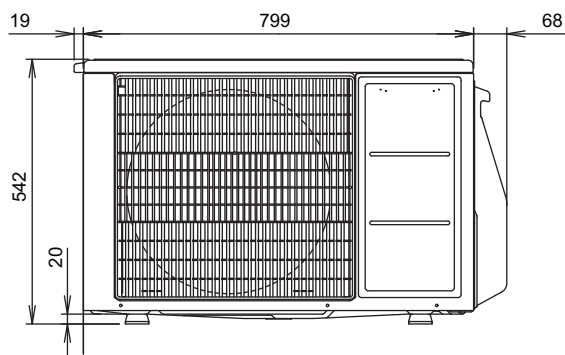
OUTDOOR UNIT  
AOEH07-14KGCG



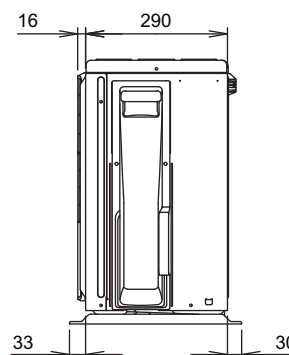
Top view



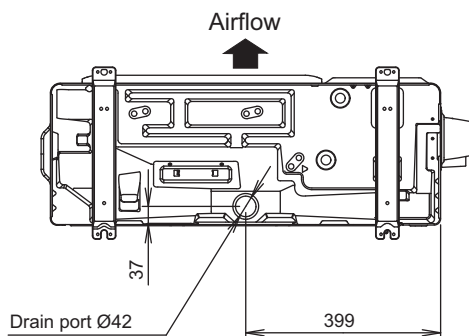
Side view



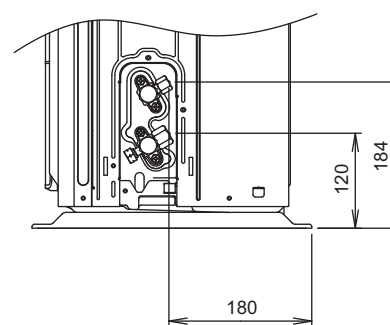
Front view



Side view



Bottom view



Side view (Valve part)

## 3. Installation space

### 3-1. Models: AOEH07KGCG, AOEH09KGCG, AOEH12KGCG, and AOEH14KGCG

#### ■ Space requirement

Provide sufficient installation space for product safety.

#### ⚠ CAUTION

Keep the space shown in the installation examples.

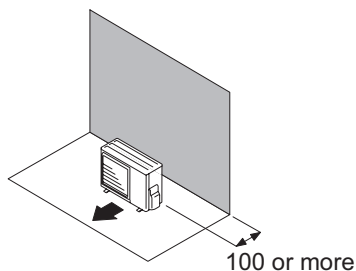
If the installation is not performed accordingly, it could cause a short circuit and result in a lack of operating performance.

#### ● Single outdoor unit installation

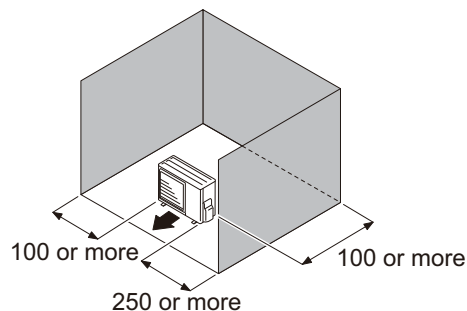
- When the upper space is open:

Unit: mm

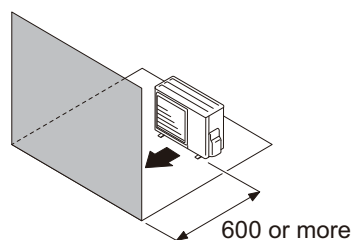
Obstacles at rear only



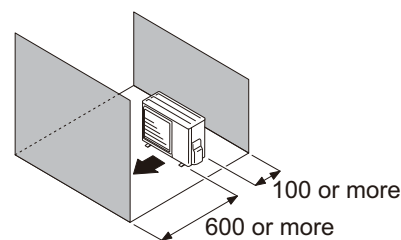
Obstacles at rear and sides



Obstacles at front



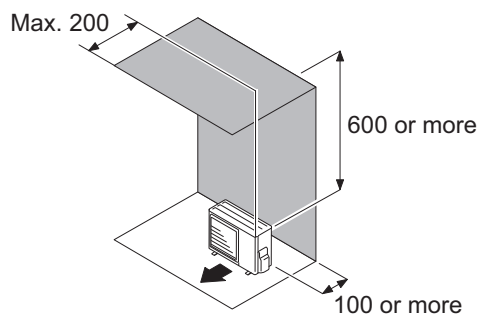
Obstacles at front and rear



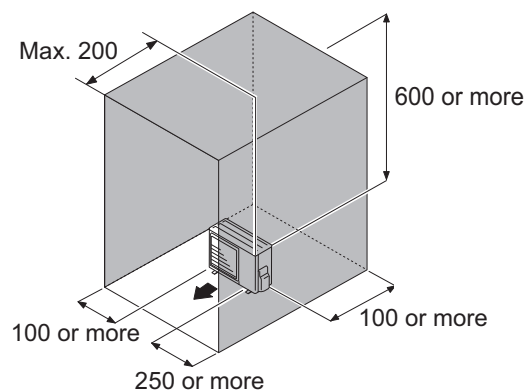
- When an obstruction in the upper space:

Unit: mm

Obstacles at rear and above



Obstacles at rear, sides, and above





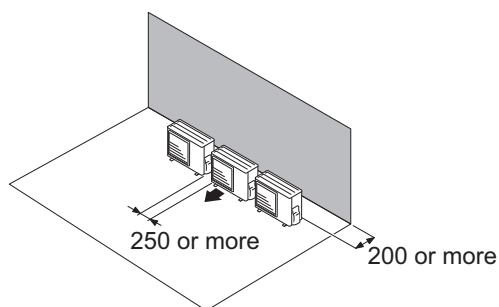
## ● Multiple outdoor unit installation

- Provide at least 250 mm of space between the outdoor units if multiple units are installed.
- When routing the piping from the side of an outdoor unit, provide space for piping.
- No more than 3 units must be installed side by side.  
When 4 units or more are arranged in a line, provide the space as shown in the following example **“When an obstruction in the upper space:”**.

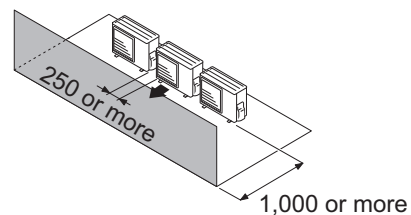
- **When the upper space is open:**

Unit: mm

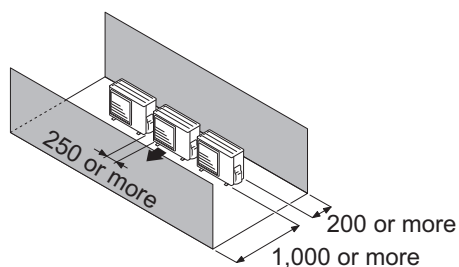
Obstacles at rear only



Obstacles at front only



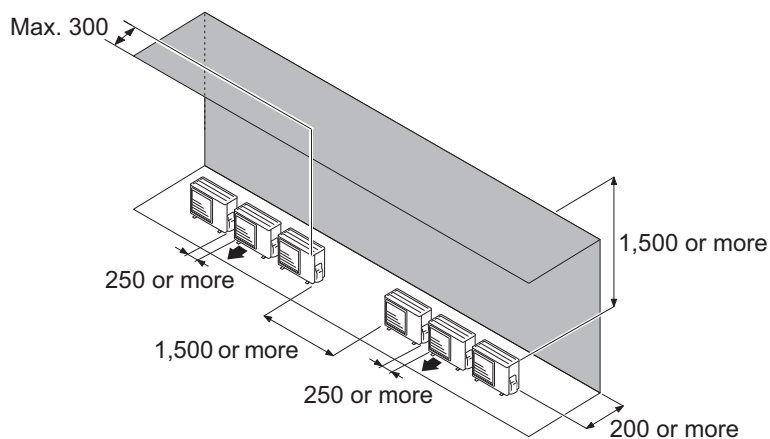
Obstacles at front and rear



- **When an obstruction in the upper space:**

Unit: mm

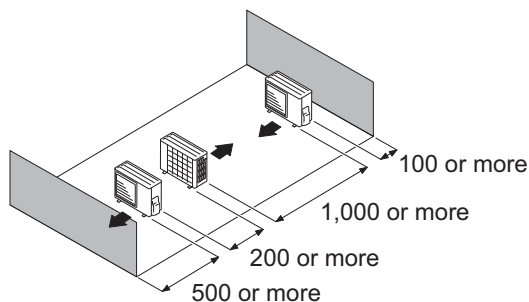
Obstacles at rear and above.



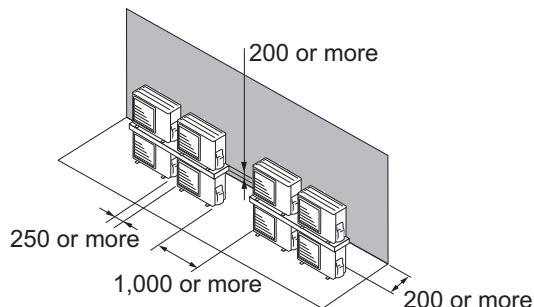
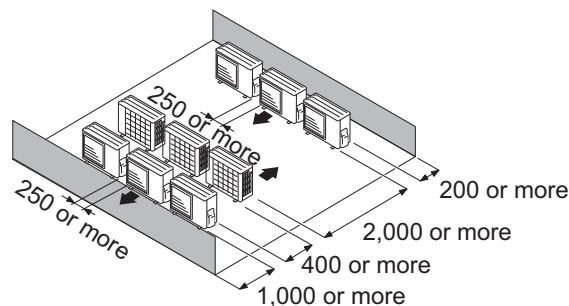
## ● Outdoor units installation in multi-row

Unit: mm

Single parallel unit arrangement



Multiple parallel unit arrangement

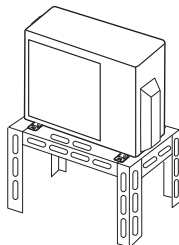


### NOTES:

- If the space is larger than stated above, the condition will be the same as when there is no obstacle.
- When installing the outdoor unit, be sure to open the front and left side to obtain better operation efficiency.

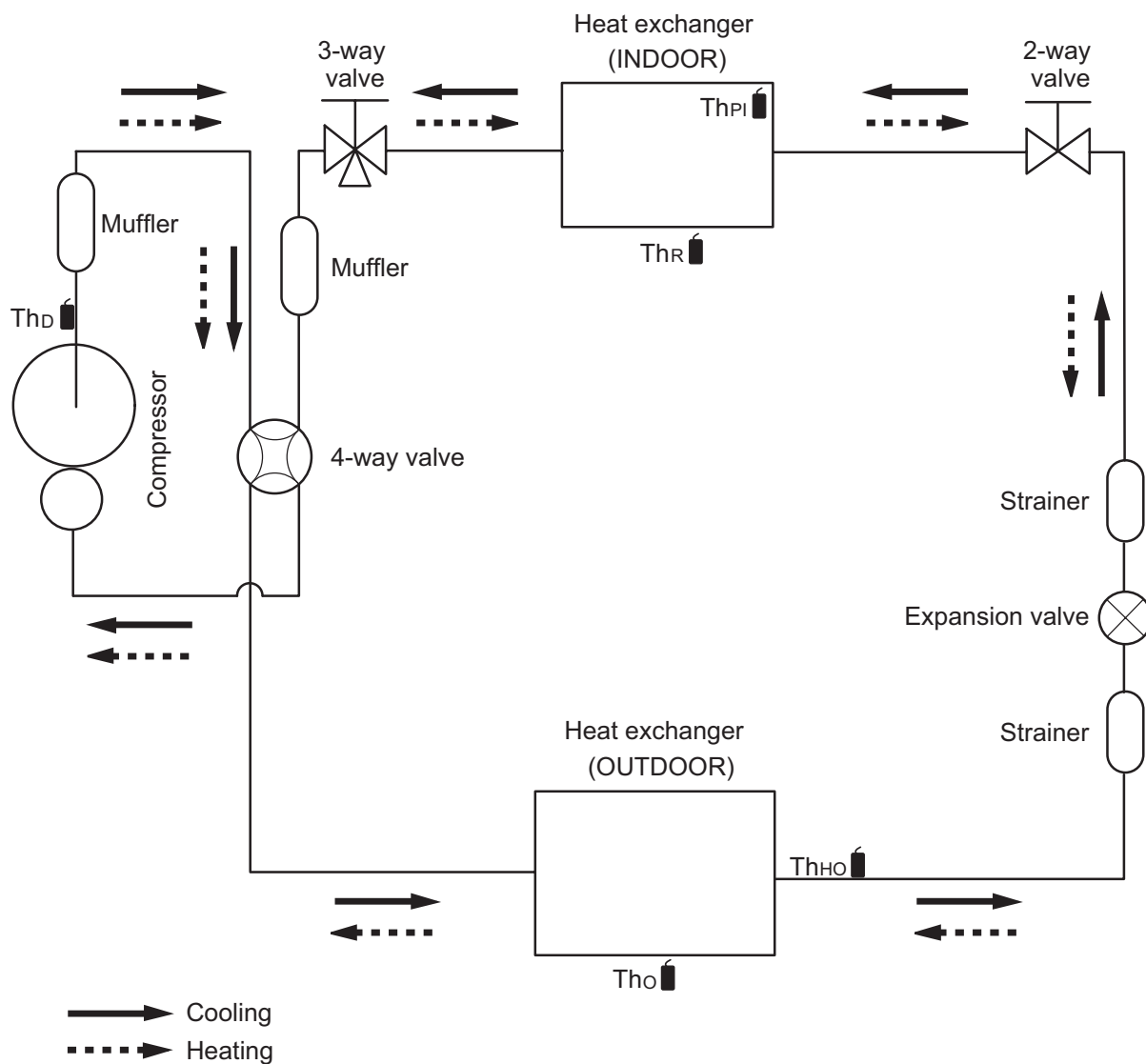
### ⚠ CAUTION

- Do not install the outdoor unit in two-stage where the drain water could freeze. Otherwise the drainage from the upper unit may form ice and cause a malfunction of the lower unit.
- When the outdoor temperature is 0 °C or less, do not use the accessory drain pipe and drain cap. If the drain pipe and drain cap are used, the drain water in the pipe may freeze in extremely cold climate. (For reverse cycle model only.)
- In area with heavy snowfall, if the inlet and outlet of the outdoor unit is blocked with snow, it might become difficult to get warm, and it is likely to cause product malfunction. Construct a canopy and a pedestal, or place the unit on a high stand that is locally installed.



## 4. Refrigerant circuit

### 4-1. Models: AOEH07KGCG, AOEH09KGCG, AOEH12KGCG, and AOEH14KGCG



Th<sub>D</sub> : Thermistor (Discharge temperature)

Th<sub>O</sub> : Thermistor (Outdoor temperature)

Th<sub>HO</sub> : Thermistor (Heat exchanger out temperature)

Th<sub>PI</sub> : Thermistor (Pipe temperature)

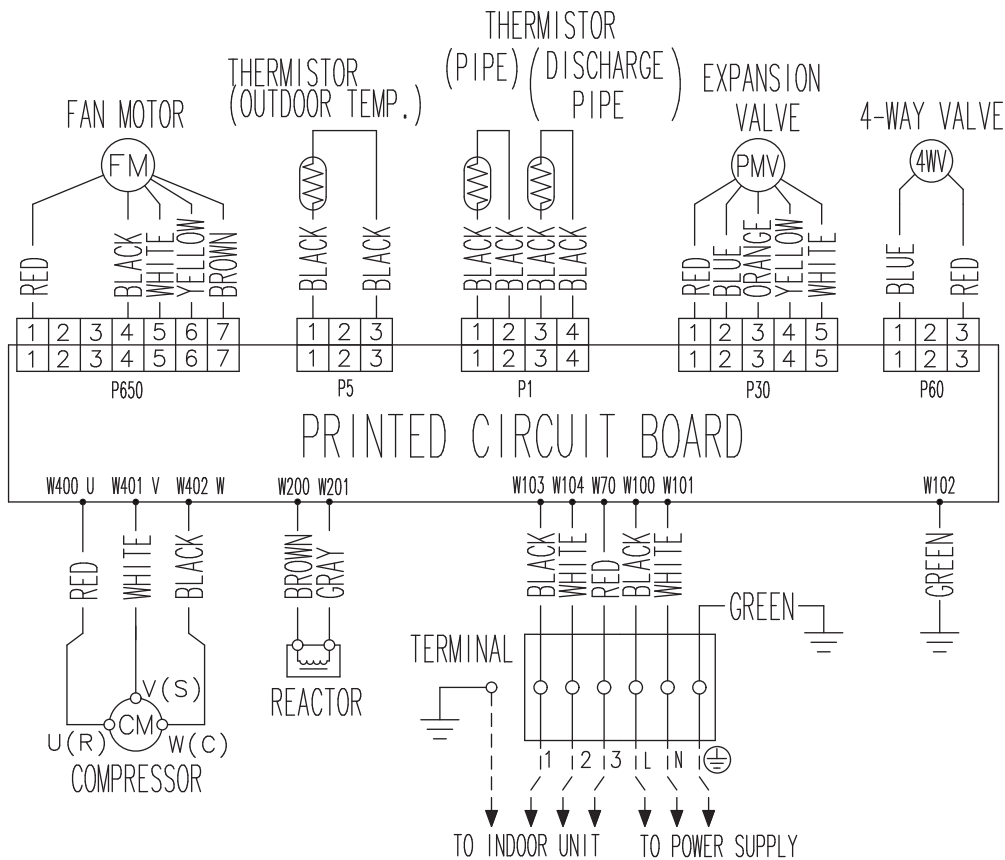
Th<sub>R</sub> : Thermistor (Room temperature)

## 5. Wiring diagrams

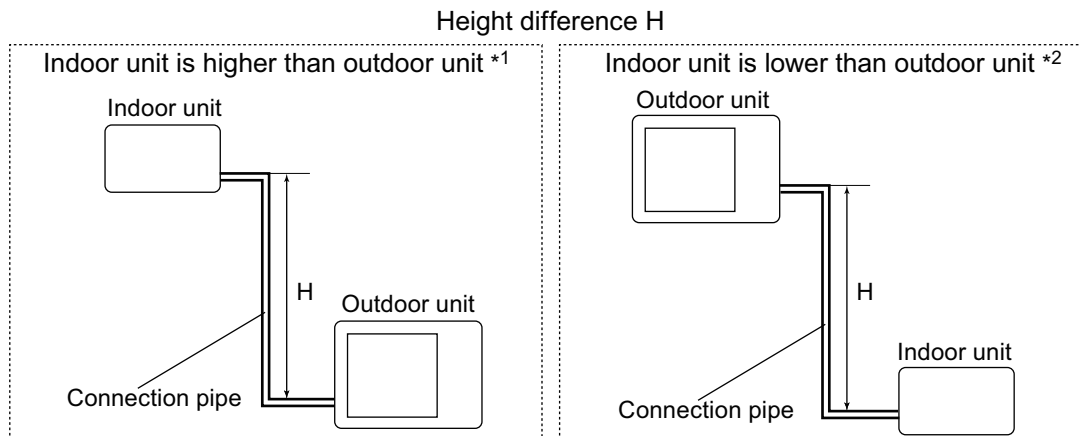
### 5-1. Models: AOEH07KGCG, AOEH09KGCG, AOEH12KGCG, and AOEH14KGCG

OUTDOOR UNIT  
AOEH07-14KGCG

OUTDOOR UNIT  
AOEH07-14KGCG



## 6. Capacity compensation rate for pipe length and height difference



### 6-1. Models: AOEH07KGCG, AOEH09KGCG, AOEH12KGCG, and AOEH14KGCG

**NOTE:** Values mentioned in the table are calculated based on the maximum capacity.

COOLING			Pipe length (m)				
			5	7.5	10	15	20
Height difference H (m)	Indoor unit is higher than outdoor unit *1	15	—	—	—	0.858	0.868
		10	—	—	0.929	0.872	0.882
		7.5	—	0.960	0.933	0.876	0.885
		5	0.992	0.964	0.937	0.879	0.889
	Indoor unit is lower than outdoor unit *2	0	1.000	0.972	0.944	0.887	0.896
		-5	1.000	0.972	0.944	0.887	0.896
		-7.5	—	0.972	0.944	0.887	0.896
		-10	—	—	0.944	0.887	0.896
		-15	—	—	—	0.887	0.896

HEATING			Pipe length (m)				
			5	7.5	10	15	20
Height difference H (m)	Indoor unit is higher than outdoor unit *1	15	—	—	—	0.896	0.879
		10	—	—	0.968	0.890	0.879
		7.5	—	0.994	0.968	0.896	0.879
		5	1.000	0.994	0.968	0.896	0.879
	Indoor unit is lower than outdoor unit *2	0	1.000	0.994	0.968	0.896	0.879
		-5	0.995	0.989	0.963	0.891	0.875
		-7.5	—	0.987	0.961	0.889	0.873
		-10	—	—	0.959	0.887	0.871
		-15	—	—	—	0.878	0.862

## 7. Additional charge calculation

### 7-1. Models: AOEH07KGCG and AOEH09KGCG

Refrigerant type		R32
Factory charge amount	g	750

#### ■ Refrigerant charge

Total pipe length	m	15 or less	20 (Max.)	20 g/m
Additional charge amount	g	0	100	

### 7-2. Models: AOEH12KGCG and AOEH14KGCG

Refrigerant type		R32
Factory charge amount	g	850

#### ■ Refrigerant charge

Total pipe length	m	15 or less	20 (Max.)	20 g/m
Additional charge amount	g	0	100	

## 8. Airflow

### 8-1. Model: AOEH07KGCG

#### ● Cooling

m <sup>3</sup> /h	1,390
l/s	386
CFM	818

#### ● Heating

m <sup>3</sup> /h	1,350
l/s	375
CFM	795

### 8-2. Model: AOEH09KGCG

#### ● Cooling

m <sup>3</sup> /h	1,480
l/s	411
CFM	871

#### ● Heating

m <sup>3</sup> /h	1,420
l/s	394
CFM	836

### 8-3. Models: AOEH12KGCG and AOEH14KGCG

#### ● Cooling

m <sup>3</sup> /h	1,800
l/s	500
CFM	1,059

#### ● Heating

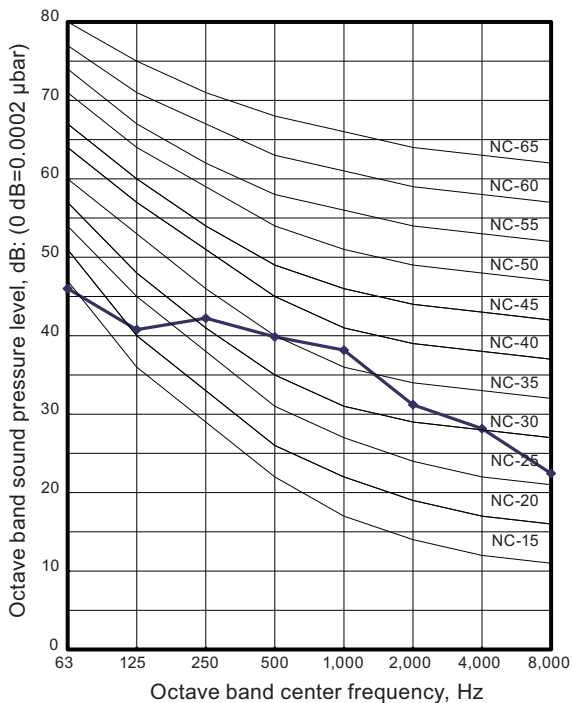
m <sup>3</sup> /h	1,690
l/s	469
CFM	995

# 9. Operation noise (sound pressure)

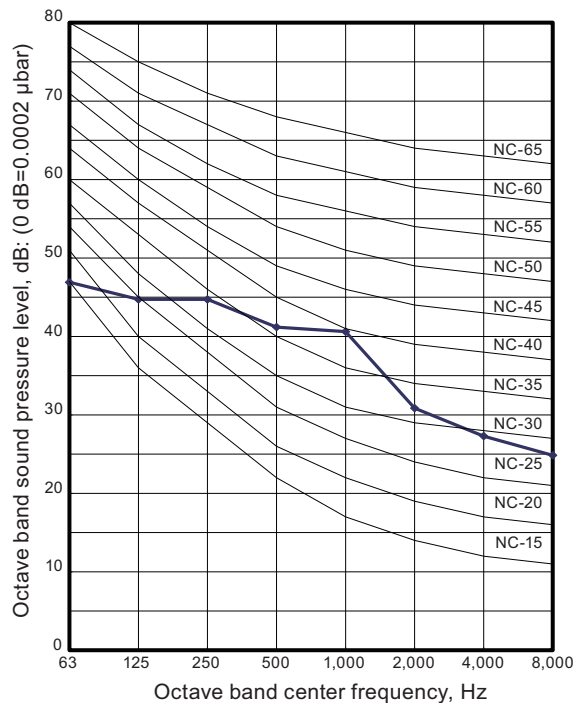
## 9-1. Noise level curve

### ■ AOEH07KGCG

#### ● Cooling

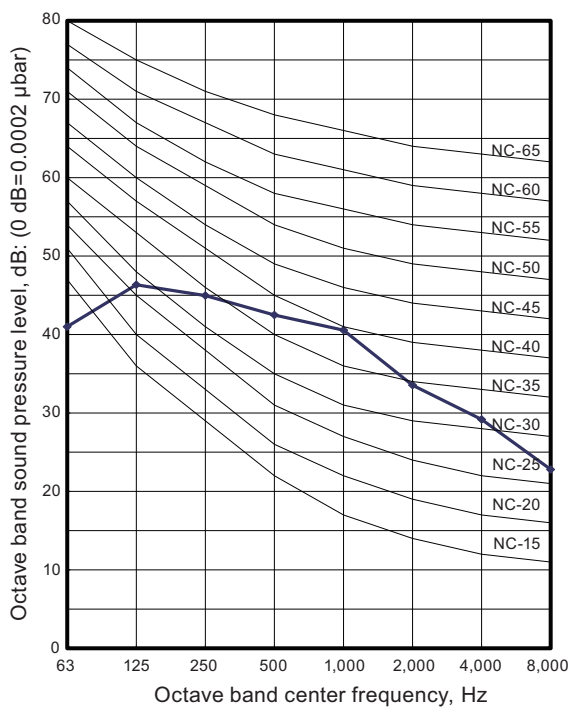


#### ● Heating

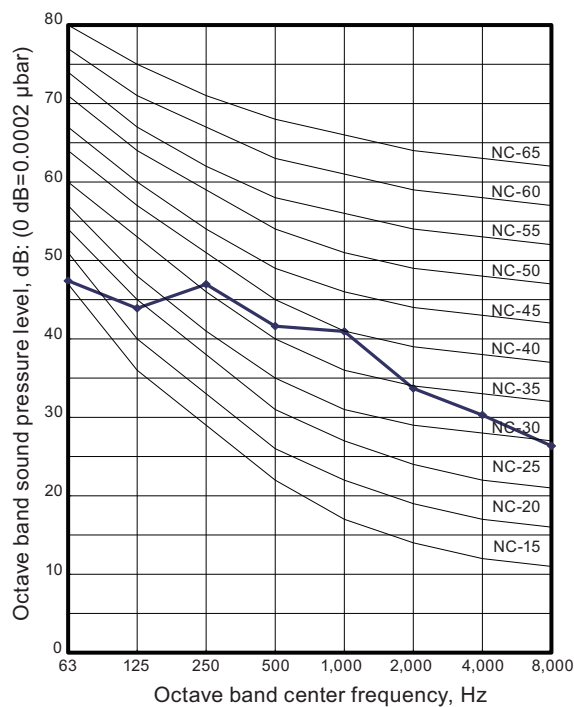


### ■ AOEH09KGCG

#### ● Cooling



#### ● Heating



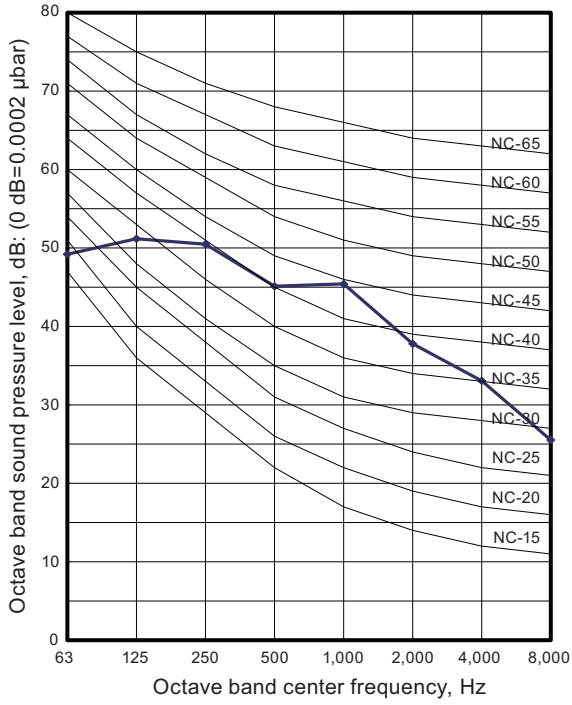
OUTDOOR UNIT  
AOEH07-14KGCG

OUTDOOR UNIT  
AOEH07-14KGCG

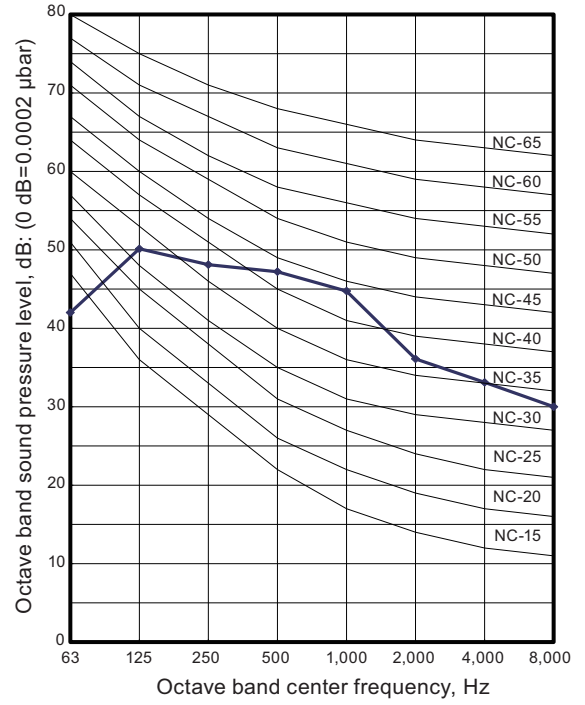


## ■ AOEH12KGCG

### ● Cooling

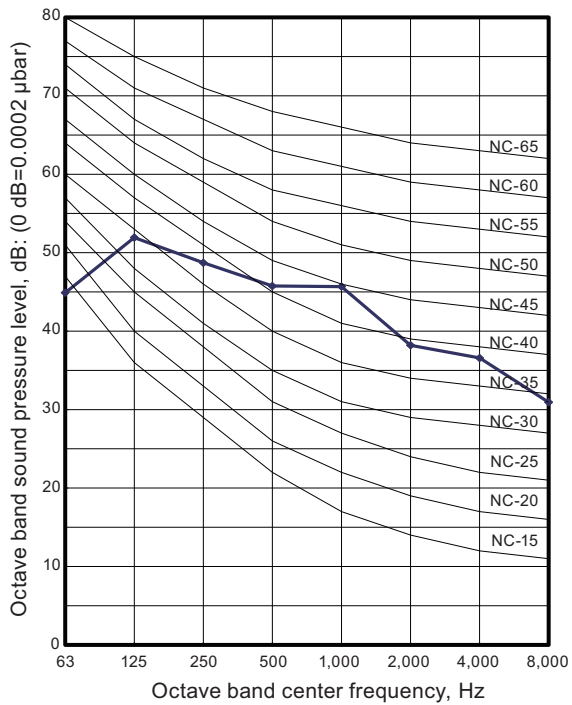


### ● Heating

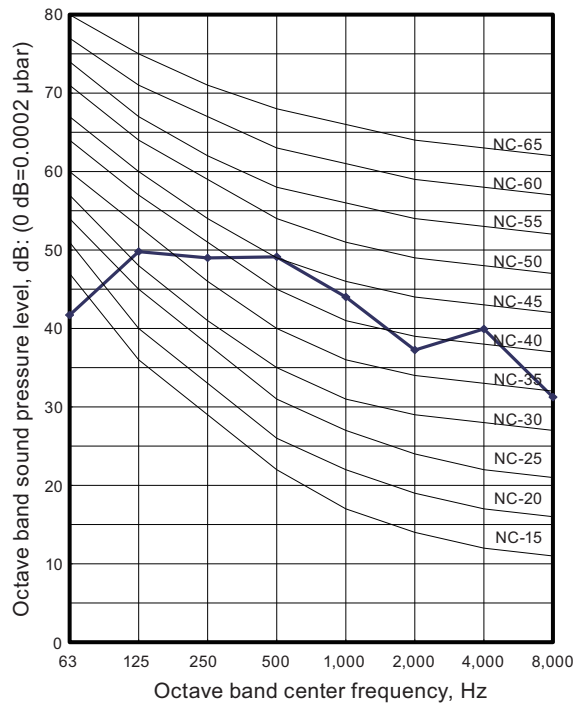


## ■ AOEH14KGCG

### ● Cooling



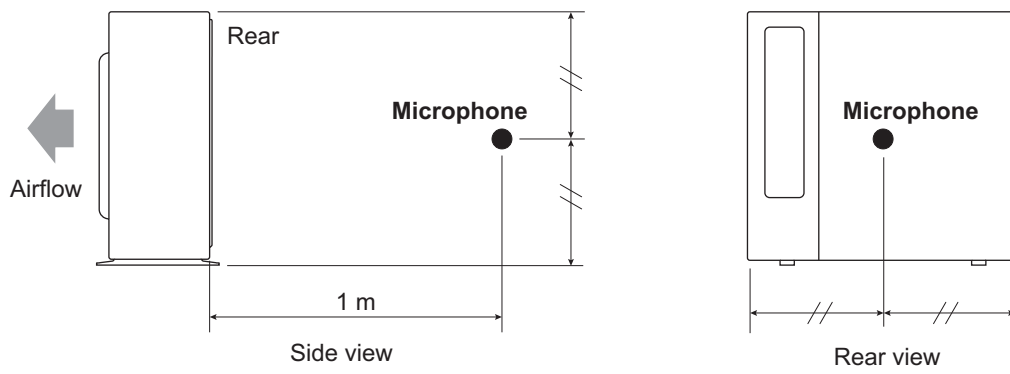
### ● Heating



OUTDOOR UNIT  
AOEH07-14KGCG

OUTDOOR UNIT  
AOEH07-14KGCG

## 9-2. Sound level check point



**NOTE:** Detailed shape of the actual outdoor unit might be slightly different from the one illustrated above.

## 10. Electrical characteristics

Model name			AOEH07KGCG	AOEH09KGCG	AOEH12KGCG	AOEH14KGCG
Power supply	Voltage	V	230 ~			
	Frequency	Hz	50			
Max operating current* <sup>1</sup>		A	9.0			10.5
Starting current		A	2.9	3.2	4.5	6.7
Wiring spec.* <sup>2</sup>	Circuit breaker current	A	10			13
	Power cable	mm <sup>2</sup>	1.5			
	Connection cable* <sup>3</sup>	mm <sup>2</sup>	1.5			
	Limited wiring length	m	21			

### NOTES:

- \*<sup>1</sup>: Maximum operating current is the total current of the indoor unit and the outdoor unit.
- \*<sup>2</sup>: Selected sample based on Japan Electrotechnical Standards and Codes Committee E0005. As the regulations of wire size and circuit breaker differ in each country or region, select appropriate devices complied to the regional standard.
- \*<sup>3</sup>: Limit voltage drop to less than 2%. If voltage drop is 2% or more, increase cable conductor size.

# 11. Safety devices



Type of protection	Protection form		Model		
			AOEH07KGCG	AOEH09KGCG	
Circuit protection	Current fuse (Main PCB)		250 V, 20 A		
			250 V, 5 A		
Fan motor protection	Terminal protection program	Activate	103 ±18°C Fan motor stop		
		Reset	95 ±18°C Fan motor restart		
Compressor protection	Terminal protection program (Discharge temp.)	Activate	110°C Compressor stop		
		Reset	After 7 minutes Compressor restart		
Terminal protection program (Outdoor temp.) (Only in COOL or DRY mode)			Activate	COOL or DRY: -15°C Compressor stop	
			Reset	COOL or DRY: -10°C Compressor restart	

Type of protection	Protection form		Model		
			AOEH12KGCG	AOEH14KGCG	
Circuit protection	Current fuse (Main PCB)		250 V, 20 A		
			250 V, 5 A		
Fan motor protection	Terminal protection program	Activate	103 ±18°C Fan motor stop		
		Reset	95 ±18°C Fan motor restart		
Compressor protection	Terminal protection program (Discharge temp.)	Activate	110°C Compressor stop		
		Reset	After 7 minutes Compressor restart		
Terminal protection program (Outdoor temp.) (Only in COOL or DRY mode)			Activate	COOL or DRY: -15°C Compressor stop	
			Reset	COOL or DRY: -10°C Compressor restart	

\*PCB: Printed Circuit Board

## 12. Accessories

### 12-1. Models: AOEH07KGCG, AOEH09KGCG, AOEH12KGCG, and AOEH14KGCG

Part name	Exterior	Qty	Part name	Exterior	Qty
Installation manual		1	Drain pipe		1