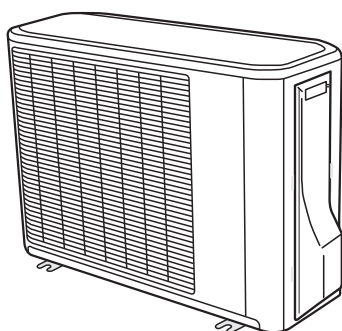


AIR CONDITIONER OUTDOOR UNIT

INSTALLATION MANUAL



INSTALLATION MANUAL

For authorized service personnel only.

English

INSTALLATIONSANLEITUNG

Nur für autorisiertes Personal.

Deutsch

MANUEL D'INSTALLATION

Pour le personnel agréé uniquement.

Français

MANUAL DE INSTALACIÓN

Solo para personal autorizado.

Español

MANUALE D'INSTALLAZIONE

Ad uso esclusivo del personale autorizzato.

Italiano

ΕΓΧΕΙΡΙΔΙΟ ΕΓΚΑΤΑΣΤΑΣΗΣ

Για εξουσιοδοτημένο προσωπικό σέρβις.

Ελληνικά

MANUAL DE INSTALAÇÃO

Apenas para técnicos autorizados.

Português

РУКОВОДСТВО ПО УСТАНОВКЕ

Для уполномоченного персонала.

Русский

KURULUM KILAVUZU

Yetkili servis personeli içindir.

Türkçe

Contents

1. SAFETY PRECAUTIONS..... 1
 2. ABOUT THE UNIT..... 1
 3. SELECTING THE MOUNTING POSITION 3
 4. INSTALLATION DIAGRAM..... 3
 5. INSTALLATION 4
 6. PUMP DOWN..... 6

Notes:

- This manual describes how to install the outdoor unit only. To install the indoor unit, refer to the installation manual included with the indoor unit.
- Be sure to read this manual thoroughly before the installation.
- Hand this manual, together with the operating manual, to the customer. Request the customer to keep them on hand for future use, such as for relocating or repairing the unit.
- After the installation, explain correct operation to the customer by using the operating manual.

1. SAFETY PRECAUTIONS

The warnings and precautions indicated in this manual contain important information pertaining to your safety. Be sure to observe them.

WARNING This mark indicates procedures which, if improperly performed, might lead to the death or serious injury of the user.

CAUTION This mark indicates procedures which, if improperly performed, might possibly result in personal harm to the user, or damage to property.

WARNING

For the air conditioner to operate satisfactorily, install it as outlined in this installation manual.

The appliance shall be installed in accordance with national wiring regulations.

Never touch electrical components immediately after the power supply has been turned off. Electrical shock may occur. After turning off the power, always wait 5 minutes or more before touching electrical components.

Do not turn ON the power until all work has been completed. Turning ON the power before the work is completed can cause serious accidents such as electric shock or fire.

If refrigerant leaks while work is being carried out, ventilate the area. If the refrigerant comes in contact with a flame, it produces a toxic gas.

Connect the indoor unit and outdoor unit with the air conditioner piping and cable available standard parts.
This installation manual describes the correct connections using the installation set available from our standard parts.

Do not use an extension cable.

Do not purge the air with refrigerants but use a vacuum pump to vacuum the installation.

There is not extra refrigerant in the outdoor unit for air purging.

If the supply cable is damaged, it must be replaced by the manufacture, its service agent or similarly qualified persons in order to avoid a hazard.

CAUTION

When installing pipes shorter than 5 m, sound of the outdoor unit will be transferred to the indoor unit, which will cause large operating sound or some abnormal sound.

This unit must be installed by qualified personnel with a capacity certificate for handling refrigerant fluids. Refer to regulation and laws in use on installation place.

The unit must be correctly grounded and the supply line must be equipped with a differential breaker in order to protect the persons.

The units are not explosion proof and therefore should not be installed in explosive atmosphere.

This unit contains no user-serviceable parts. Always consult authorized service personnel to repairs.

Children should be monitored to ensure they do not play with the device.

This product is not intended to be used by people (including children) with physical, sensory or mental disability, or persons lacking experience or knowledge unless they have been given by the through a person responsible for their safety, supervision or instruction concerning the use of the device.

Do not touch the aluminum fins of heat exchanger built-in the indoor or outdoor unit to avoid personal injury when you install or maintain the unit.

Do not place any other electrical products or household belongings under indoor unit or outdoor unit. Dripping condensation from the unit might get them wet, and may cause damage or malfunction of your property.

- Be careful not to scratch the air conditioner when handling it.
- After installation, explain correct operation to the customer, using the operating manual.

2. ABOUT THE UNIT

2.1. Precautions for using R410A refrigerant

The basic installation work procedures are the same as conventional refrigerant (R22) models.
However, pay careful attention to the following points:

Since the working pressure is 1.6 times higher than that of conventional refrigerant (R22) models, some of the piping and installation and service tools are special. (See the table below.)
Especially, when replacing a conventional refrigerant (R22) model with a new refrigerant R410A model, always replace the conventional piping and flare nuts with the R410A piping and flare nuts.

Models that use refrigerant R410A have a different charging port thread diameter to prevent erroneous charging with conventional refrigerant (R22) and for safety. Therefore, check beforehand. [The charging port thread diameter for R410A is 1/2 inch.]

Be more careful that foreign matter (oil, water, etc.) does not enter the piping than with refrigerant (R22) models. Also, when storing the piping, securely seal the opening by pinching, taping, etc.

When charging the refrigerant, take into account the slight change in the composition of the gas and liquid phases. And always charge from the liquid phase where refrigerant composition is stable.

2.2. Special tools for R410A

Tool name	Contents of change
Gauge manifold	Pressure is high and cannot be measured with a conventional (R22) gauge. To prevent erroneous mixing of other refrigerants, the diameter of each port has been changed. It is recommended the gauge with seals -0.1 to 5.3 MPa (-1 to 53 bar) for high pressure. -0.1 to 3.8 MPa (-1 to 38 bar) for low pressure.
Charge hose	To increase pressure resistance, the hose material and base size were changed.
Vacuum pump	A conventional vacuum pump can be used by installing a vacuum pump adapter.
Gas leakage detector	Special gas leakage detector for HFC refrigerant R410A.

Copper pipes

It is necessary to use seamless copper pipes and it is desirable that the amount of residual oil is less than 40 mg/10 m. Do not use copper pipes having a collapsed, deformed or discolored portion (especially on the interior surface). Otherwise, the expansion valve or capillary tube may become blocked with contaminants.

As an air conditioner using R410A incurs pressure higher than when using R22, it is necessary to choose adequate materials.

Thicknesses of copper pipes used with R410A are as shown in table below. Never use copper pipes thinner than 0.8mm even when it is available on the market.

Thicknesses of Annealed Copper Pipes

Pipe outside diameter	Thickness
6.35 mm (1/4 in.)	0.80 mm
9.52 mm (3/8 in.)	0.80 mm
12.70 mm (1/2 in.)	0.80 mm
15.88 mm (5/8 in.)	1.00 mm
19.05 mm (3/4 in.)	1.20 mm

WARNING

Do not use the existing (for R22) piping and flare nuts.
If the existing materials are used, the pressure inside the refrigerant cycle will rise and cause failure, injury, etc. (Use the special R410A materials.)

When installing and relocating the air conditioner, do not mix gases other than the specified refrigerant (R410A) to enter the refrigerant cycle.
If air or other gas enters the refrigerant cycle, the pressure inside the cycle will rise to an abnormally high value and cause failure, injury, etc.

2.3. Power

⚠ WARNING

Always use a special branch circuit and install a special receptacle to supply power to the room air conditioner.

Use a circuit breaker and receptacle matched to the capacity of the air conditioner.

Do not extend the power cable.

Perform wiring work in accordance with standards so that the air conditioner can be operated safely and positively.

Install a leakage circuit breaker in accordance with the related laws and regulations and electric company standards.

The circuit breaker is installed in the permanent wiring. Always use a circuit that can trip all the poles of the wiring and has an isolation distance of at least 3 mm between the contacts of each pole.

⚠ CAUTION

The power source capacity must be the sum of the air conditioner current and the current of other electrical appliances. When the current contracted capacity is insufficient, change the contracted capacity.

When the voltage is low and the air conditioner is difficult to start, contact the power company the voltage raised.

2.4. Electric requirement

⚠ CAUTION

Be sure to install a breaker of the specified capacity.

Regulation of cables and breaker differs from each locality, refer in accordance with local rules.

Voltage rating	1 ϕ 230 V (50 Hz)
Operating range	198-264 V

Cable	Cable size [mm ²] ^{*1}	Type	Remarks
Power supply cable	4.0	Type 60245 IEC66	2cable + Earth (Ground), 1 ϕ 230V
Connection cable	1.5	Type 60245 IEC57	3cable + Earth (Ground), 1 ϕ 230V

^{*1} Selected sample: Select the correct cable type and size according to the country or region's regulations.
Max. wire length: Set a length so that the voltage drop is less than 2%. Increase the wire diameter when the wire length is long.


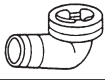

Breaker	Specification ^{*2}
Circuit breaker (over current)	Current : 25 (A)
Earth leakage breaker	Leakage current : 30mA 0.1sec or less ^{*3}

^{*2} Select the appropriate breaker of the described specification according to the national or regional standards.

^{*3} Select the breaker that enough load current can pass through it.

- Before starting work check that power is not being supplied to all poles of the indoor unit and outdoor unit.
- Install all electrical works in accordance to the national standard.
- Install the disconnect device with a contact gap of at least 3 mm in all poles nearby the units. (Both indoor unit and outdoor unit)
- Install the circuit breaker nearby the units.

2.5. Accessories

Name and Shape	Q'ty	Application
Installation Manual 	1	This manual
Drain pipe 	1	For outdoor unit drain piping work
Adapter assy 12.7mm → 9.52mm 	1	For use when connecting [12 type only]

2.6. Limitation of refrigerant piping length

⚠ CAUTION

The total maximum pipe lengths and height difference of this product are shown in the table.
If the units are further apart than this, correct operation cannot be guaranteed.

Pipe length		Maximum height (between indoor and outdoor)
MAX.	MIN.	
25 m	5 m	15 m

2.7. Additional charge

Refrigerant suitable for a piping length of 15 m is charged in the outdoor unit at the factory. When the piping is longer than 15 m, additional charging is necessary. For the additional amount, see the table below.

Pipe length	15 m	20 m	25 m
Additional amount	None	100 g	200 g

⚠ CAUTION

When adding refrigerant, add the refrigerant from the charging port at the completion of work.

The maximum length of the piping is 25 m. The maximum height difference of the piping is 15 m, if the units are further apart than these, correct operation cannot be guaranteed.

Between 15 m and 25 m, when using a connection pipe other than that in the table, charge additional refrigerant with 20 g/1 m as the criteria.

2.8. Selecting pipe sizes

The diameters of the connection pipes differ according to the capacity of the indoor unit. Refer to the following table for the proper diameters of the connection pipes between the indoor and outdoor units.

Capacity of indoor unit	Gas pipe size (thickness) [mm]	Liquid pipe size (thickness) [mm]
12	ϕ 9.52 (0.8)	ϕ 6.35 (0.8)
14, 18	ϕ 12.7 (0.8)	ϕ 6.35 (0.8)

⚠ CAUTION

Operation cannot be guaranteed if the correct combination of pipes, valves, etc., is not used to connect the indoor and outdoor units.

2.9. Heat insulation around connection pipes requirements

⚠ CAUTION

Install heat insulation around both the gas and liquid pipes.

Failure to do so may cause water leaks.

Use heat insulation with heat resistance above 120 °C. (Reverse cycle model only)
In addition, if the humidity level at the installation location of the refrigerant piping is expected to exceed 70%, install heat insulation around the refrigerant piping. If the expected humidity level is 70-80%, use heat insulation that is 15 mm or thicker and if the expected humidity exceeds 80%, use heat insulation that is 20 mm or thicker.
If heat insulation is used that is not as thick as specified, condensation may form on the surface of the insulation.
In addition, use heat insulation with heat conductivity of 0.045 W/(m·K) or less (at 20 °C).

Connect the connection pipes according to "5.3. Connecting the piping" in this installation manual.

3. SELECTING THE MOUNTING POSITION

With considering written conditions below, select an appropriate installing location in consultation with the customer.

⚠ WARNING

Securely install the outdoor unit at a location that can withstand the weight of the unit. Otherwise, the outdoor unit may fall and cause injury.

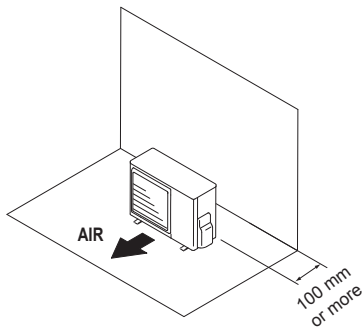
Be sure to install the outdoor unit as prescribed, so that it can withstand earthquakes or strong winds. Improper installation can cause the unit to topple or fall, or other accidents.

⚠ CAUTION

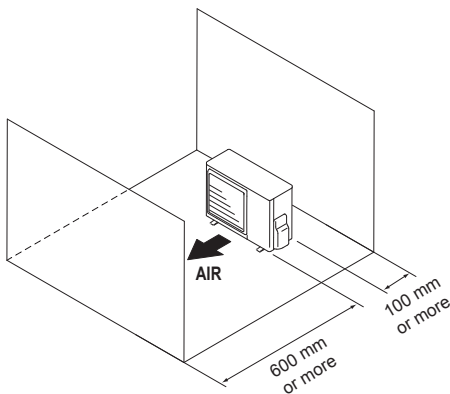
Do not install the outdoor unit in the following areas:

- Area with high salt content, such as at the seaside. It will deteriorate metal parts, causing the parts to fail or the unit to leak water.
- Area filled with mineral oil or containing a large amount of splashed oil or steam. It will deteriorate plastic parts, causing the parts to fail or the unit to leak water.
- Area that generates substances that adversely affect the equipment, such as sulfuric gas, chlorine gas, acid, or alkali. It will cause the copper pipes and brazed joints to corrode, which can cause refrigerant leakage.
- Area containing equipment that generates electromagnetic interference. It will cause the control system to malfunction, preventing the unit from operating normally.
- Area that can cause combustible gas to leak, contains suspended carbon fibers or flammable dust, or volatile inflammables such as paint thinner or gasoline. If gas leaks and settles around the unit, it can cause a fire.
- Area that has heat sources, vapors, or the risk of the leakage of flammable gas in the vicinity.
- Area where small animals may live. It may cause failure, smoke or fire if small animals enter and touch internal electrical parts.
- Area where animals may urinate on the unit or ammonia may be generated.

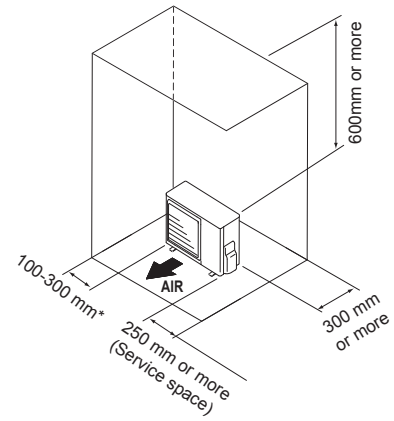
- (1) If possible, do not install the unit where it will be exposed to direct sunlight. (If necessary, install a blind that does not interfere with the air flow.)
 - (2) Do not install the unit where a strong wind blows or where it is very dusty.
 - (3) Do not install the unit where people pass.
 - (4) Take your neighbors into consideration so that they are not disturbed by air blowing into their windows or by noise.
 - (5) Provide the space shown in figure so that the air flow is not blocked. Also for efficient operation, leave open three of the four directions front, rear, and both sides.
 - (6) Install the unit where keep away more than 3m from the antenna of TV set and Radio.
 - (7) Outdoor unit should be set to a place where both drainage and itself will not be affected when heating.
- When there are obstacles at the back side.



- When there are obstacles at the back and front sides.

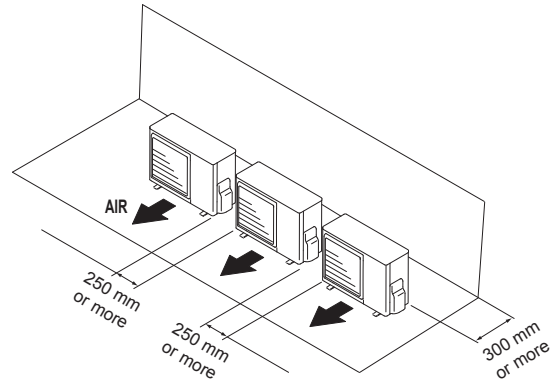


- When there are obstacles at the back, side(s), and top.

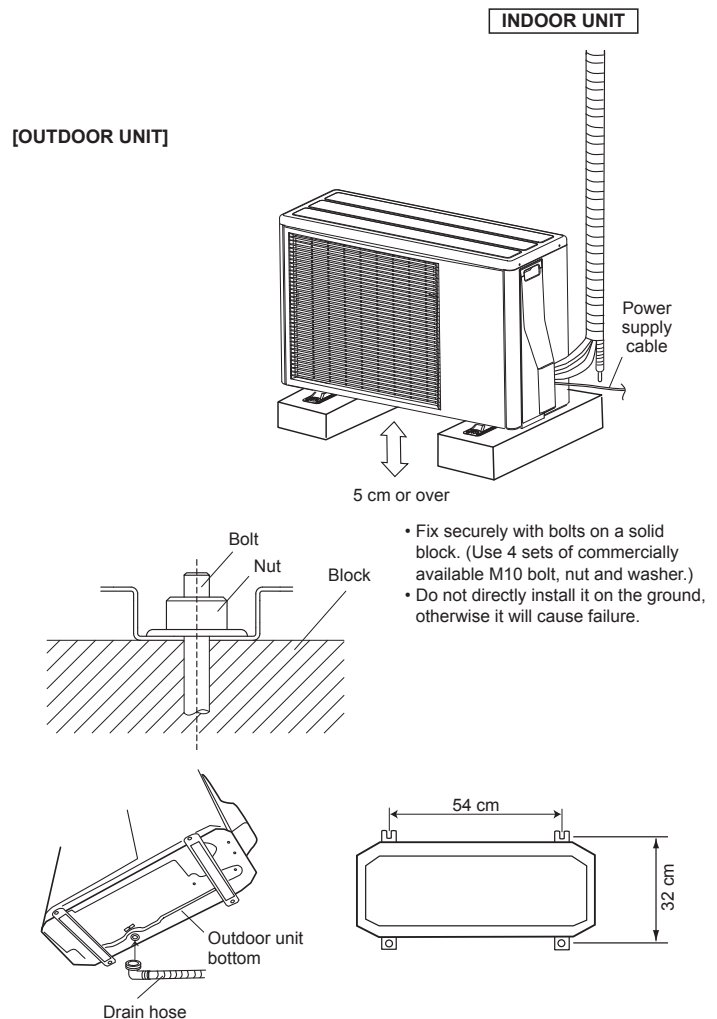


* If the space is larger than that is stated, the condition will be the same as that there are no obstacles.

- When there are obstacles at the back side with the installation of more than one unit.



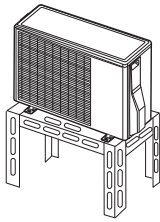
4. INSTALLATION DIAGRAM



CAUTION

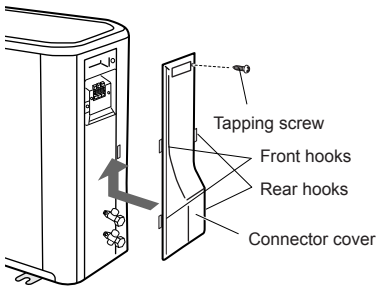
When the outdoor temperature is 0 °C or less, do not use the accessory drain pipe and drain cap. If the drain pipe and drain cap are used, the drain water in the pipe may freeze in extreme cold weather. (Reverse cycle model only)

In the area with heavy snowfall, if the intake and outlet of outdoor units blocked with snow, it might become difficult to get warm and it is likely to cause of the breakdown. Please construct a canopy and a pedestal or place the unit on a high stand (local configured).



5. INSTALLATION

5.1. Outdoor unit installation



Connector cover removal
 • Remove the tapping screw.

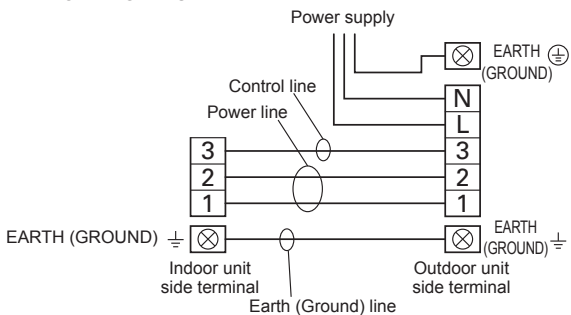
Installing the connector cover
 (1) After inserting the four hooks, then slide the cover.
 (2) Tighten the tapping screw.

WARNING

Install the unit where it will not be tilted by more than 5°. When installing the outdoor unit where it may be exposed to strong wind, fasten it securely.

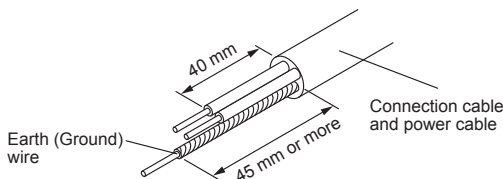
5.2. Outdoor unit wiring

1. CONNECTION DIAGRAMS



2. CABLE PREPARATION

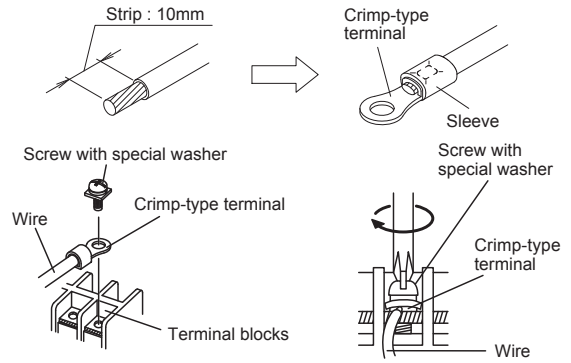
• When stripping off the coating of a lead wire, always use a special tool such as a wire stripper. If there is no special tool available, carefully strip the coating with a knife etc. Keep the earth (ground) wire longer than the other wires.



How to connect wiring to the terminal
Caution when wiring cable

- Use crimp-type terminals with insulating sleeves as shown in the figure to connect to the terminal block.
- Securely clamp the crimp-type terminals to the wires using an appropriate tool so that the wires do not come loose.
- Use the specified wires, connect them securely, and fasten them so that there is no stress placed on the terminals.
- Use an appropriate screwdriver to tighten the terminal screws. Do not use a screwdriver that is too small, otherwise, the screw heads may be damaged and prevent the screws from being properly tightened.

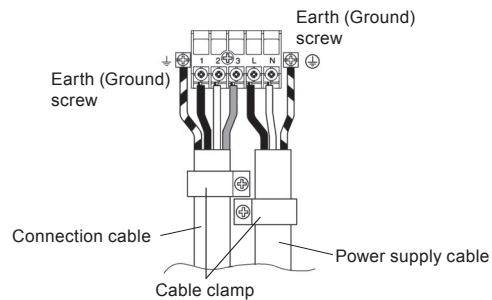
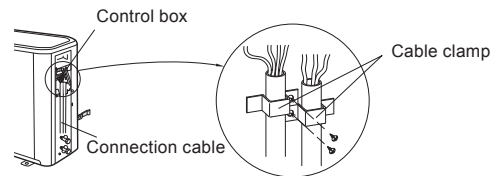
- Do not tighten the terminal screws too much, otherwise, the screws may break.
- See the table below for the terminal screw tightening torques.



Tightening torque [N·m (kgf·cm)]	
M4 screw	1.2 to 1.8 (12 to 18)

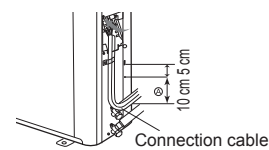
3. OUTDOOR UNIT

- Remove the outdoor unit connector cover.
- Bend the end of the cable as shown in the figure.
- Connect the end of the connection cable fully into the terminal block.
- Fasten the sheath with a cable clamp.
- Install the connector cover.



Connection cable wiring

Run the connection cable to the rear of the outdoor unit within the Ⓐ range of the arrows shown in the figure. (The connector cover becomes difficult to install.)



CAUTION

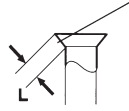
- Before starting work, check that power is not being supplied to the indoor unit and outdoor unit.
- Match the terminal block numbers and connection cable colors with those of the indoor unit. Erroneous wiring may cause burning of the electric parts.
- Connect the connection cable firmly to the terminal block. Imperfect installation may cause a fire.
- Always fasten the outside covering of the connection cable with the cord clamp. (If the insulator is chafed, electric leakage may occur.)
- Securely earth (ground) the power cable.
- Do not use the earth (ground) screw for an external connector. Only use for interconnection between two units.

5.3. Connecting the piping

BENDING PIPES

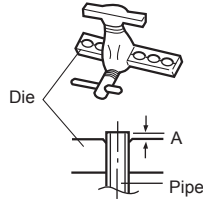
- When bending the pipe, be careful not to crush it.
- To prevent breaking of the pipe, avoid sharp bends.
Bend the pipe with a radius of curvature of 150 mm or over.
- If the copper pipe is bent the pipe or pulled to often, it will become stiff. Do not bend the pipes more than three times at one place.

Check if [L] is flared uniformly and is not cracked or scratched.



FLARING

- Cut the connection pipe to the necessary length with a pipe cutter.
- Hold the pipe downward so that cuttings will not enter the pipe and remove the burrs.
- Insert the flare nut onto the pipe and flare the pipe with a flaring tool.



Insert the flare nut (always use the flare nut attached to the indoor and outdoor units respectively) onto the pipe and perform the flare processing with a flare tool.

Use the special R410A flare tool, or the conventional (for R22) flare tool.

When using the conventional flare tool, always use an allowance adjustment gauge and secure the A dimension shown in Table 2.

ADAPTER ※ 12 type only

Connection ports of outdoor unit

- When using the ADAPTER, be careful not to overtighten the nut, or the smaller pipe may be damaged.
- Apply a coat of refrigeration oil to the threaded connection port of the outdoor unit where the flare nut comes in.
- Use appropriate wrenches to avoid damaging the connection thread by overtightening the flare nut.
- Apply wrenches on both of flare nut (local part), and ADAPTER to tighten them.

Adapter tightening torque

Adapter type [mm]	Tightening torque
ø12.7 → ø9.52	49 to 61 [N·m] (490 to 610 kgf·cm)

CONNECTION

- Install the outdoor unit wall cap (supplied with the optional installation set or procured at the site) to the wall pipe.
- Connect the outdoor unit and indoor unit piping.
- After matching the center of the flare surface and tightening the nut hand tight, tighten the nut to the specified tightening torque with a torque wrench. (Table 1)

Tighten with two wrenches.

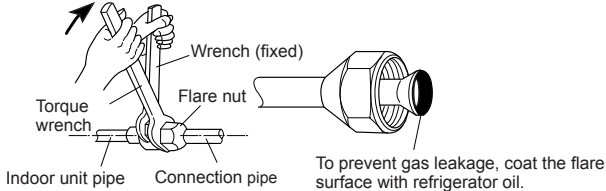


Table 1 Flare nut size and tightening torque

Flare nut [mm (in.)]	Tightening torque [N·m (kgf·cm)]
6.35 (1/4) dia.	16 to 18 (160 to 180)
9.52 (3/8) dia.	32 to 42 (320 to 420)
12.70 (1/2) dia.	49 to 61 (490 to 610)
15.88 (5/8) dia.	63 to 75 (630 to 750)
19.05 (3/4) dia.	90 to 110 (900 to 1100)

Table 2 Pipe outside diameter

Pipe outside diameter [mm (in.)]	Dimension A [mm]
	Flare tool for R410A, clutch type
6.35 (1/4)	0 to 0.5
9.52 (3/8)	
12.70 (1/2)	
15.88 (5/8)	
19.05 (3/4)	

CAUTION

Fasten a flare nut with a torque wrench as instructed in this manual. If fastened too tight, the flare nut may be broken after a long period of time and cause a leakage of refrigerant.

During installation, make sure that the refrigerant pipe is attached firmly before you run the compressor. Do not operate the compressor under the condition of refrigerant piping not attached properly with 2-way or 3-way valve open. This may cause abnormal pressure in the refrigeration cycle that leads to breakage and even injury.

5.4. Air purge

Always use a vacuum pump to purge the air.

Refrigerant for purging the air is not charged in the outdoor unit at the factory.

Close the high pressure side valve of the gauge manifold fully and do not operate it during the following work.

CAUTION

Refrigerant must not be discharged into atmosphere.

After connecting the piping, check the joints for gas leakage with gas leak detector.

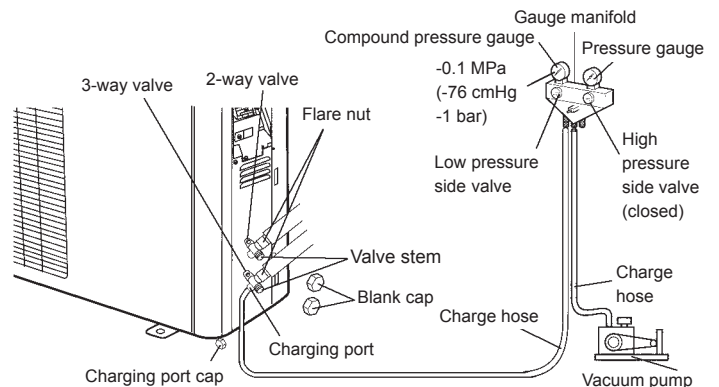
Gas leak checks are performed using either vacuum or nitrogen gas, so select the proper one depending on the situation.

Checking gas leaks with vacuum:

- Check if the piping connections are secure.
- Remove the cap of 3-way valve, and connect the gauge manifold charge hoses to the charging port of the 3-way valve.
- Open the valve of the gauge manifold fully.
- Operate the vacuum pump and start pump down.
- Check that the compound pressure gauge reads -0.1 MPa (76 cmHg), operate the vacuum pump for at least 1 hour.
- At the end of pump down, close the valve of the gauge manifold fully and stop the vacuum pump.
(It checks that leave as it is for about 10 minutes, and a needle does not return.)
- Disconnect the charge hose from the 3-way valve charging port.
- Remove the blank caps, and fully open the spindles of the 2-way and 3-way valves with a hexagon wrench.
[torque: 6 to 7 N·m (60 to 70 kgf·cm)].
- Tighten the blank caps and charging port cap of the 2-way valve and 3-way valve to the specified torque.

Checking gas leaks with nitrogen gas:

- Check if the piping connections are secure.
- Remove the cap of 3-way valve, and connect the gauge manifold charge hoses to the charging port of the 3-way valve.
- Pressurize with nitrogen gas using the 3-way valve charging port.
- Do not pressurize up to the specified pressure all at once but do so gradually.
 - Increase the pressure up to 0.5 MPa (5 kgf/cm²), let it sit for about five minutes and then check for any decrease in pressure.
 - Increase the pressure up to 1.5 MPa (15 kgf/cm²), let it sit for about five minutes and then check for any decrease in pressure.
 - Increase the pressure up to the specified pressure (the pressure designed for the product) and then make a note of it.
- Let it sit at the specified pressure and if there is no decrease in pressure then it is satisfactory. If a pressure decrease is confirmed, there is a leak, so it is necessary to specify the leak location and make minor adjustments.
- Discharge the nitrogen gas and starting removing the gas with a vacuum pump.
- Open the valve of the gauge manifold fully.
- Operate the vacuum pump and start pump down.
- Check that the compound pressure gauge reads -0.1 MPa (76 cmHg), operate the vacuum pump for at least 1 hour.
- At the end of pump down, close the valve of the gauge manifold fully and stop the vacuum pump.
- Disconnect the charge hose from the 3-way valve charging port.
- Remove the blank caps, and fully open the spindles of the 2-way and 3-way valves with a hexagon wrench.
[torque: 6 to 7 N·m (60 to 70 kgf·cm)].
- Tighten the blank caps and charging port cap of the 2-way valve and 3-way valve to the specified torque.



		Tightening torque
Blank cap	6.35 mm (1/4 in.)	20 to 25 N·m (200 to 250 kgf·cm)
	9.52 mm (3/8 in.)	20 to 25 N·m (200 to 250 kgf·cm)
	12.70 mm (1/2 in.)	28 to 32 N·m (280 to 320 kgf·cm)
	15.88 mm (5/8 in.)	30 to 35 N·m (300 to 350 kgf·cm)
Charging port cap	19.05 mm (3/4 in.)	35 to 40 N·m (350 to 400 kgf·cm)
		12.5 to 16 N·m (125 to 160 kgf·cm)

5.5. Test run

1. Make a TEST RUN in accordance with installation instruction sheet for the indoor unit.

CHECK ITEMS

INDOOR UNIT

- (1) Is operation of each button on the remote control unit normal?
- (2) Does each lamp light normally?
- (3) Do the air flow-direction louver operate normally?
- (4) Is the drain normal?
- (5) Is there any abnormal noise and vibration during operation?

OUTDOOR UNIT

- (1) Is there any abnormal noise and vibration during operation?
 - (2) Will noise, wind, or drain water from the unit disturb the neighbors?
 - (3) Is there any gas leakage?
- Do not operate the air conditioner in the test running state for a long time.
 - For the operation method, refer to the operating manual and perform operation check.

6. PUMP DOWN

6.1. Pump down

PUMP DOWN OPERATION (FORCED COOLING OPERATION)

To avoid discharging refrigerant into the atmosphere at the time of relocation or disposal, recover refrigerant by doing the cooling operation or forced cooling operation according to the following procedure. (When the cooling operation cannot start in winter, and so on, start the forced cooling operation.)

- (1) Do the air purging of the charge hose by connecting the charging hose of gauge manifold to the charging port of 3 way valve and opening the low-pressure valve slightly.
- (2) Close the valve stem of 2 way valve completely.
- (3) Start the cooling operation or following forced cooling operation. Keep on pressing the MANUAL AUTO button of the indoor unit for more than 10 seconds. The operation indicator lamp and timer indicator lamp will begin to flash simultaneously during test run. (The forced cooling operation cannot start if the MANUAL AUTO button is not kept on pressing for more than 10 seconds.)
- (4) Close the valve stem of 3 way valve when the reading on the compound pressure gage becomes 0.05~0 Mpa (0.5~0 kg/cm²).
- (5) Stop the operation.
 - Press the START/STOP button of the remote control unit to stop the operation.
 - Press the MANUAL AUTO button when stopping the operation from indoor unit side. (It is not necessary to press on keeping for more than 10 seconds.)



CAUTION

During the pump-down operation, make sure that the compressor is turned off before you remove the refrigerant piping.
Do not remove the connection pipe while the compressor is in operation with 2 way or 3 way valve open. This may cause abnormal pressure in the refrigeration cycle that leads to breakage and even injury.